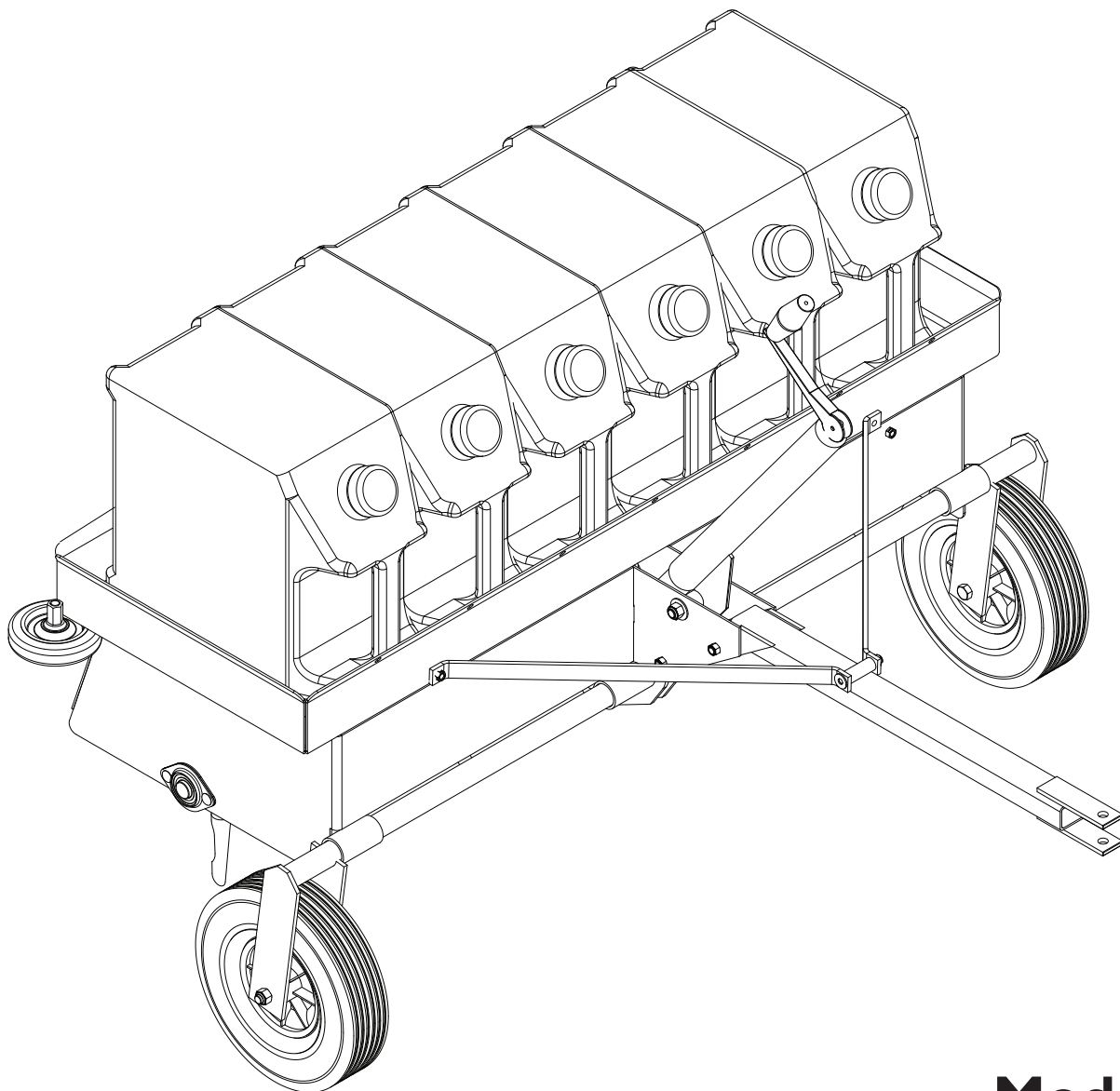




BLUEBIRD

Operator & Parts Manual



Models

TA10 / 968999443

TA12 / 968999444

Please read the operator's manual carefully and make sure you understand the instructions before using the machine.

CONTENTS

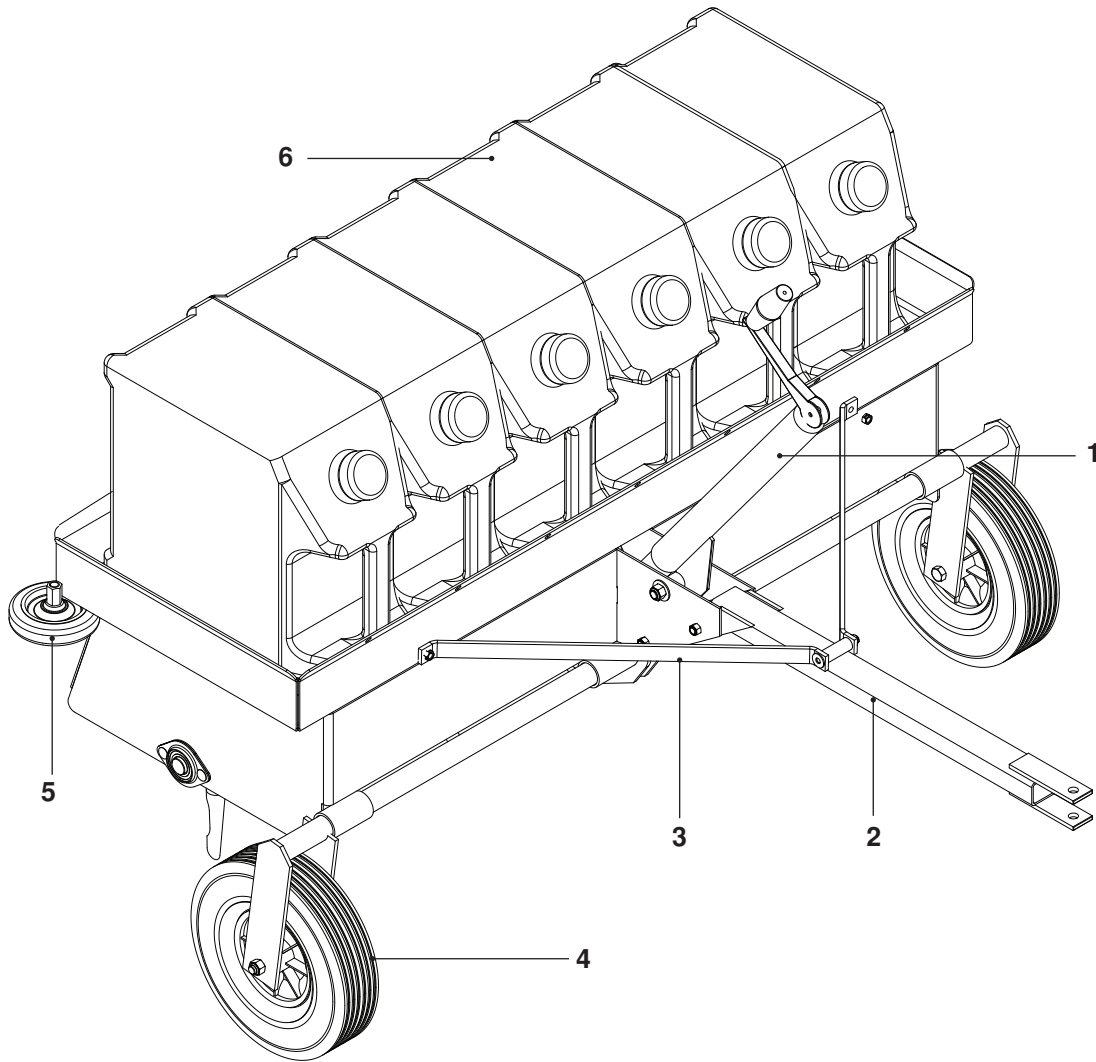
ASSEMBLY	4
OPERATION AND MAINTENANCE	8
SPECIFICATIONS	
TA10	9
TA12	9
REPAIR PARTS	
TA10	10
TA12	12

NOTE: ALL FASTENERS ARE GRADE 5 UNLESS OTHERWISE SPECIFIED.

ASSEMBLY

Congratulations! You have just purchased the BlueBird Towable Aerator - a precision-engineered product designed to provide maximum aeration performance and flexibility. Only a few simple steps are required

to fully assemble the aerator. Please read these instructions before beginning assembly. Assembly by two people is recommended. If you have questions, please contact your BlueBird dealer or distributor.



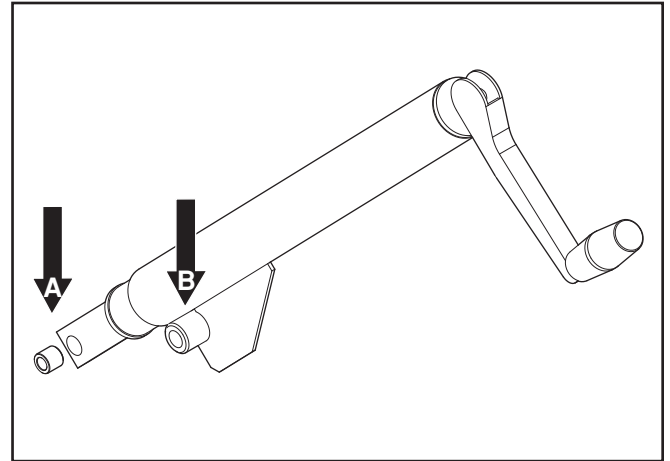
1. Jack Lift Assembly
2. Tow Bar
3. Tie Bars (TA12 Only)
4. Transport Wheels
5. Tip Wheel
6. Weight Containers (Optional)

ASSEMBLY

TOOLS REQUIRED

- $\frac{3}{4}$ " Wrench (2)
- $\frac{9}{16}$ " Deep-well Socket (1)
- $\frac{9}{16}$ " Wrench (1)
- $\frac{1}{2}$ " Wrench (2)

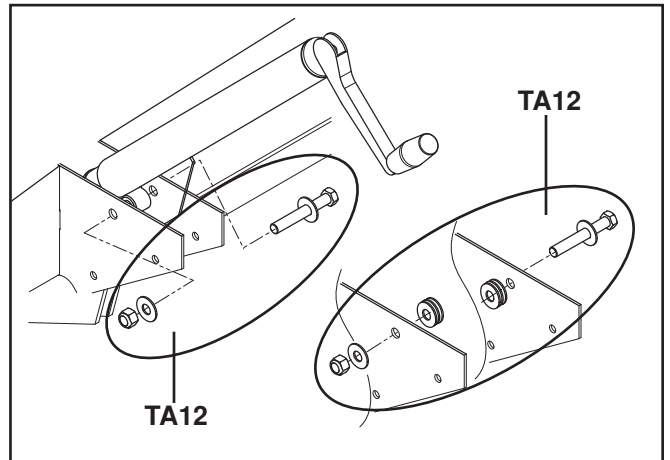
1. Check for any signs of damage that may have occurred during shipment
2. To install jack lift assembly, tip the aerator onto the back edge. Install the bushing in the hole (A) near end of the jack lift assembly.



8060-062

Insert the jack shaft bushing

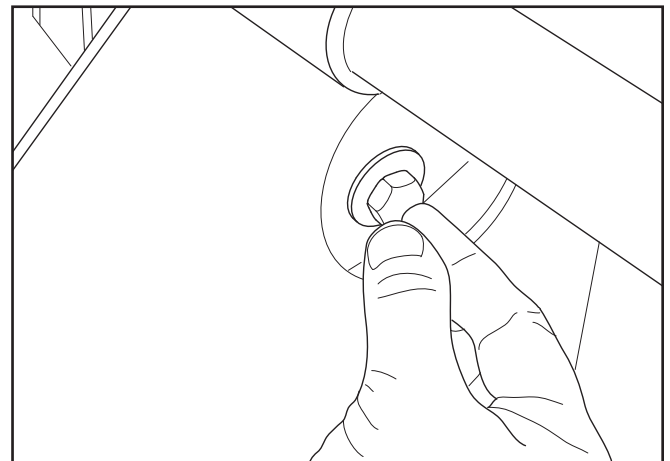
3. Slide lift jack assembly between the two frame mount brackets and align frame mount hole (B) with the lift assembly hole. Secure the assembly at hole (B) to the frame brackets using a $\frac{1}{2}$ -13 bolt, $\frac{1}{2}$ " washers and a $\frac{1}{2}$ " lock nut.



8060-089

Attach the jack assembly to the frame mount

4. Align jack lift assembly hole (A) with clearance holes in frame and attach using $\frac{3}{8}$ -16 x $1\frac{1}{2}$ bolt, washers and nut. Tighten the $\frac{1}{2}$ " bolt and $\frac{3}{8}$ " bolt securely. The $\frac{3}{8}$ " bolt will require a $\frac{9}{16}$ " deep-well socket wrench.

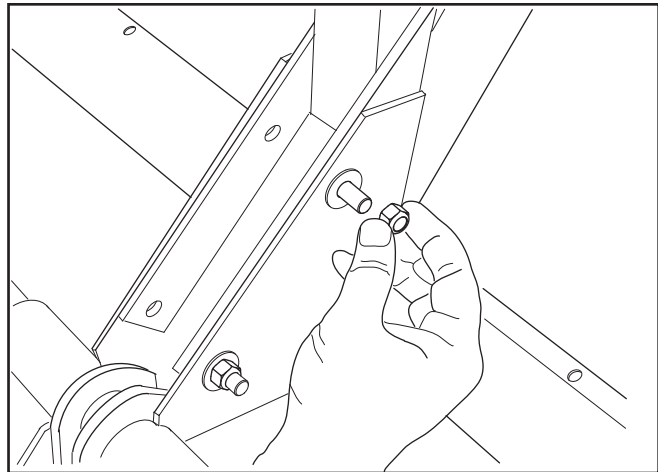


8060-066

Clearance hole in frame

ASSEMBLY

- Slide the tongue into the frame mount bracket and align holes.
- Fasten the tongue to the frame with four $\frac{3}{8}$ " x 1" bolts, washers and lock nuts. The washers should be fitted to the outside of the frame as shown. Tighten securely with a socket wrench.

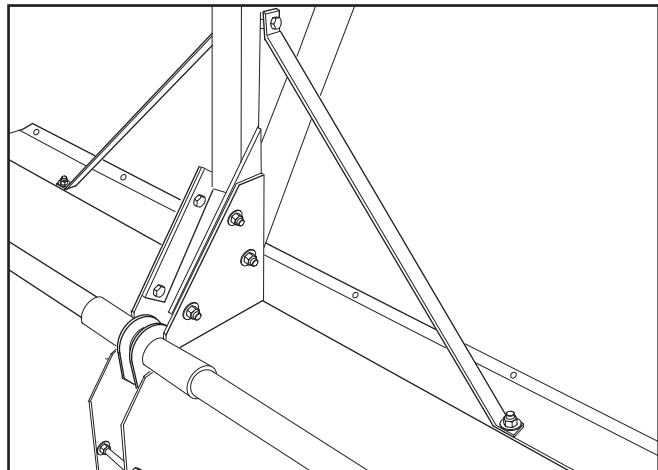


8060-067

Secure tow bar to frame

TA12 Tie Bars

- Attach the tie bars to the aerator bed on each side of the tongue.



8060-068

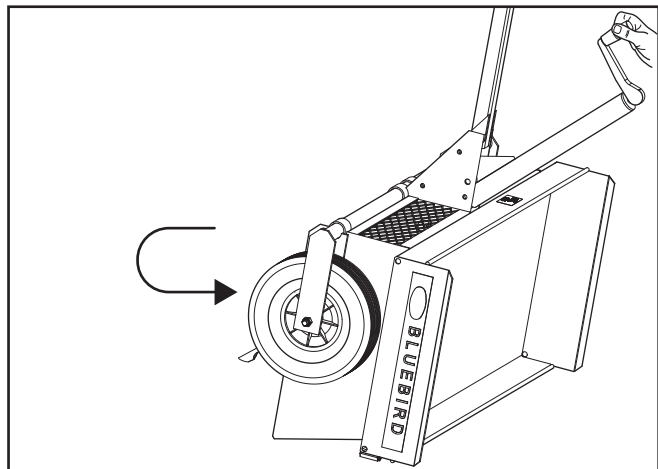
TA12 tie bars

- While the aerator is still in the tipped position, test the operation of jack lift assembly by raising the transport wheels to highest position.
- Lower the transport wheels fully and set the unit into the operating position.



CAUTION!

The wheels should be fully extended or fully retracted. NEVER operate with wheels partially retracted, damage to the jack could result.



8060-068

TA12 tiebars

ASSEMBLY

10. Add a small amount of oil to the lift jack. Oil should be added after every 25 hours of operation and after washing the unit.



WARNING!

TA12 KICKSTAND

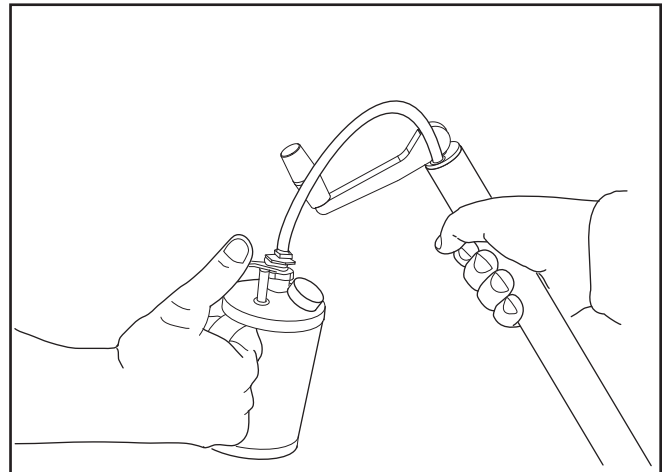
Failure to lower kickstand before detaching unit from tractor may cause unit to tip backwards quickly, causing personal injury.



CAUTION!

TA12 KICKSTAND

Always raise the kickstand before towing the unit. Towing with the kickstand down will cause damage.

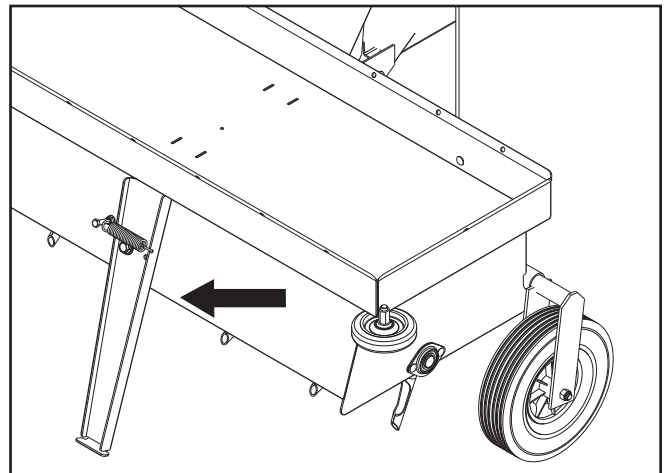


8060-071

Add oil to the lift jack

TA12 Kickstand

11. Before removing aerator from tractor and storing, park the unit on a hard, flat surface and lower the kick stand.



8060-113

TA12 Kickstand

OPERATION AND MAINTENANCE

To increase the depth of ground penetration, weights may be added into pan up to the limits shown in the specification section. Secure the weights into the pan if the unit is used on rough ground or on angled surfaces. Remove the weights from the pan before

unhooking the aerator from the tractor.

When replacing worn or damaged tines, use included washers and torque to 15 ft./lbs.

SPECIFICATIONS

TA10

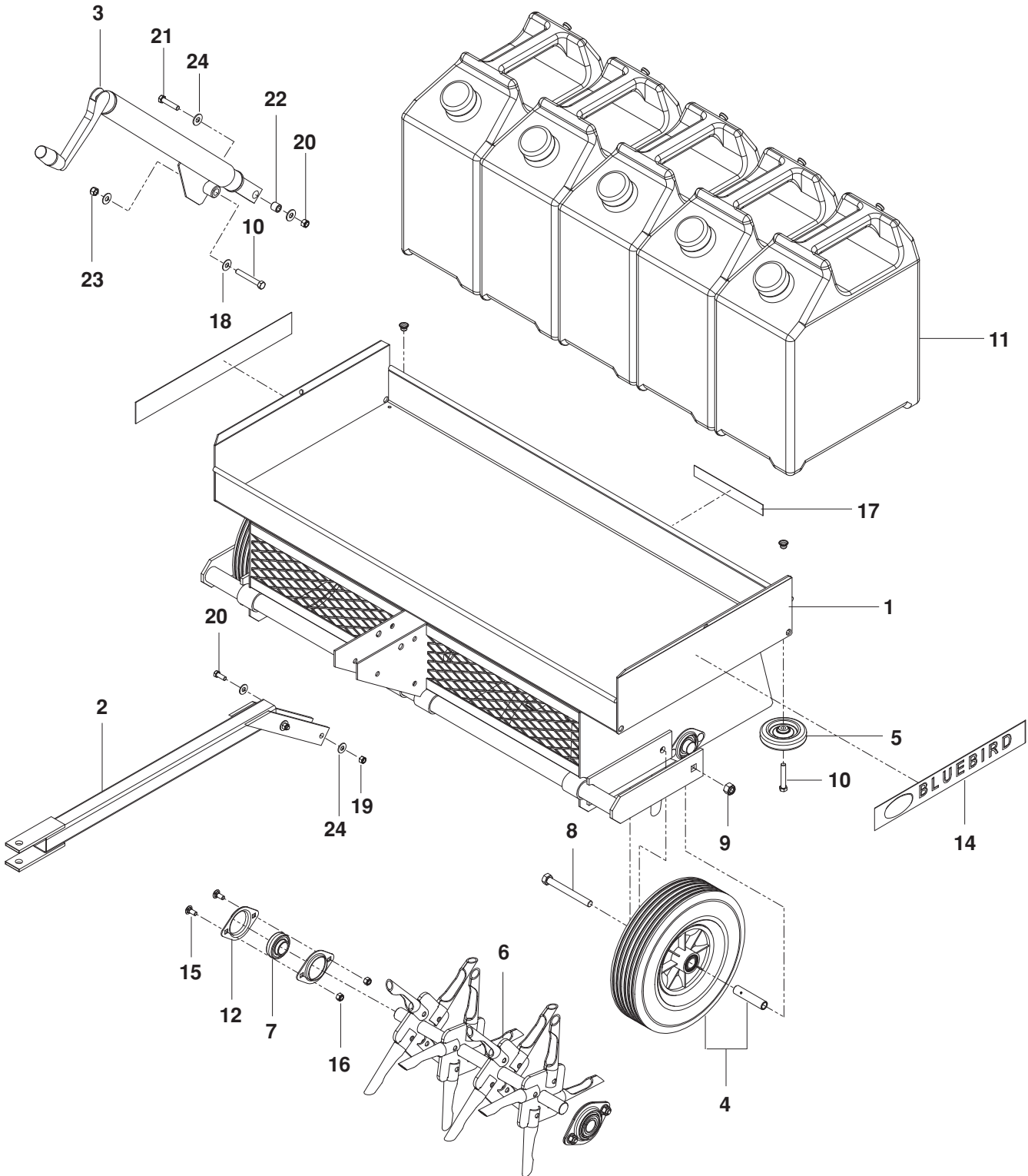
Maximum weight in pan	300 lbs.
Empty weight	190 lbs
Minimum horsepower of towing vehicle	16 HP
Tine bolt check	Every 25 hours
Tine bolt torque	15 ft/lbs
Lift jack lubrication	Every 25 hours
Wheel lubrication	Every 100 hours
Aerating pattern	4 ³ / ₈ " x 7"

TA12

Maximum weight in pan	375 lbs.
Empty weight	222 lbs
Minimum horsepower of towing vehicle	18 HP
Tine bolt check	Every 25 hours
Tine bolt torque	15 ft/lbs
Lift jack lubrication	Every 25 hours
Wheel lubrication	Every 100 hours
Aerating pattern	4 ³ / ₈ " x 7"

REPAIR PARTS

TA10



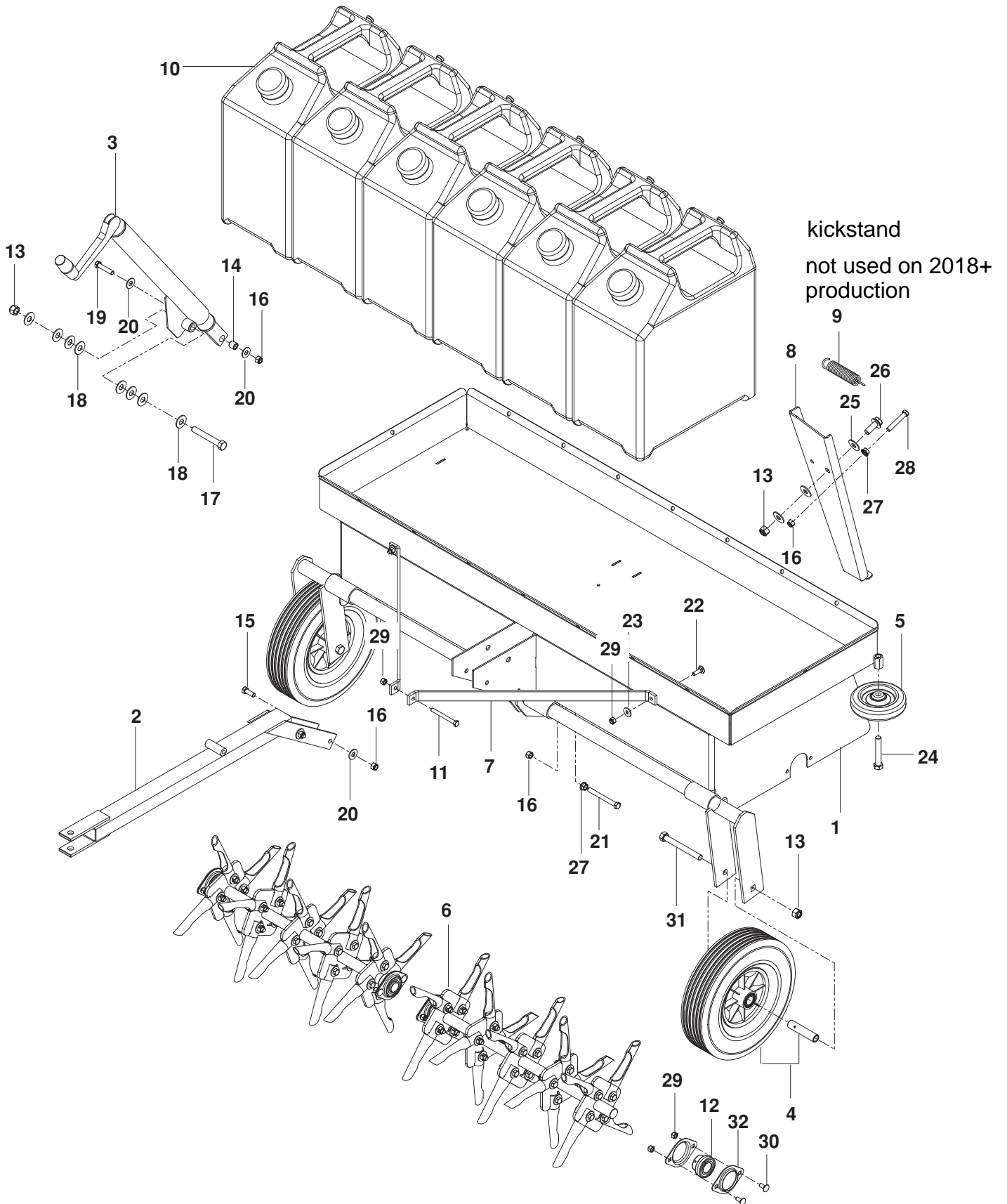
REPAIR PARTS

ITEM	PART NO.	QTY.	DESCRIPTION	ITEM	PART NO.	QTY.	DESCRIPTION
1.	5762294011	...HOUSING	12..	5390003188	... BEARING FLANGE
2.	5762295011	... TONGUE	14..	5390083382	... DECAL, LOGO 15"
3..	5390075531	... JACK	15..	5399903168	... RHSNB 5/16-18 x 3/4
4..	5390075622	... WHEEL, 12 x 3 w/ BEARING	16..	5399907178	... NUT 5/16-18 HEX NYLOC
5..	5390075632	... WHEEL TILT	17..	5392008561	... DECAL, TA10 AERATOR
6..	5390075752	... ROTOR w/ TINES	18..	5399902502	... WASHER, .531 SAE
	5390075712	... TINE SET (16 TINES)	19..	5399905465	... NUT 3/8-16 HEX CNTRLK
7..	5390003174	... BEARING 1"	20..	5399905634	... HCS 3/8-16 x 1
8..	5391083672	... HCS 1/2-13 x 4 1/2	21..	5399906551	... HCS 3/8-16 x 1 1/2
9..	5391013312	... NUT 1/2 HEX NYLOC	22..	5390101011	... BUSHING
10..	5391015723	... HCS 1/2-13 x 3	23..	5391013311	... NUT 1/2-13 HEX NYLOC
11..	5390201275	... WATER TANK INDIVIDUAL	24..	539990122	... 10..	... WASHER 3/8 SAE FLAT
				25.	539007574	... 2....	fastener kit

NOTE: ALL FASTENERS ARE GRADE 5 UNLESS OTHERWISE SPECIFIED.

REPAIR PARTS

TA12



REPAIR PARTS

ITEM	PART NO.	QTY.	DESCRIPTION	ITEM	PART NO.	QTY.	DESCRIPTION
1..	576229601.....	1	... HOUSING	18..	539990550.....	8	... WASHER 1/2
2..	539108428.....	1	... TONGUE BLK	19..	539990730.....	1	... HCS 3/8-16 x 1 3/4
3..	539007553.....	1	... JACK	20..	539990517.....	6	... WASHER 3/8
4..	539007562.....	2	... WHEEL, 12 x 3 w/ BEARING	21..	539102754.....	1	... HCS 3/8-16 x 3 1/2 GR8
5..	539007563.....	2	... TILT WHEEL	22..	539990208.....	2	... RHSNB 5/16-18 x 1
6..	539108416.....	2	... ROTOR w/ TINES	23..	539990692.....	2	... WASHER 5/16
	539109294	2	... TINE SET (20 TINES)	24..	539101572.....	2	... HCS 1/2-13 x 3
7..	539109175.....	2	... TIE BAR	25..	539104864.....	3	... WASHER 7/16
8..	539108727.....	1	... KICKSTAND	26..	539990622.....	1	... BOLT 1/2-13 x 1 1/4 FLG HD
9..	539106850.....	1	... SPRING	27..	539990613.....	2	... NUT 3/8-16, WHIZLOCK
10..	539020127.....	6	... WATER TANK INDIVIDUAL	28..	539990629.....	1	... HCS 3/8-16 x 2 1/4
11..	539990553.....	1	... HCS 5/16-18 x 3	29..	539990717... ..	11	... NUT 5/16-18 NYLOC
12..	539000317.....	4	... BEARING 1" w/ LCK COLLAR	30..	539990316.....	4	... RHSNB 5/16-18 x 3/4
13..	539101331.....	4	... NUT 1/2-13 NYLOC	31..	539108367.....	1	... HCS 1/2-13 x 4 1/2
14..	539010101.....	1	... BUSHING	32..	539000318.....	8	... BEARING FLANGE 1"
15..	539990563.....	4	... HCS 3/8-16 x 1	NOT SHOWN			
16..	539976979.....	7	... NUT, 3/8-16 NYLOC	539108413	1	... DECAL, TA12 AERATOR	
17..	539108370.....	1	... HCS 1/2-13 x 3 1/2	539108429	2	... DECAL, INSTRUCTIONS	
				539008338	2	... DECAL, LOGO 15"	

NOTE: ALL FASTENERS ARE GRADE 5 UNLESS OTHERWISE SPECIFIED.



68 Squirrel Rd
Auburn Hills Mi 48326