



LANDSCAPE PRODUCTS

WWW.BRICKSTOPEDGE.COM

1 800-565-2599

2022



MISSION STATEMENT

At Brickstop Corporation our goal is to manufacture, distribute and supply our dealer network with the finest quality Paver Edgings and Landscape Accessories, serving the professional landscape contractors' specific needs and requirements.

We strive to provide the best tools possible so you can do the best job possible!

Our customers' needs are our priority. If you can't find a product you require, we are happy to source it for you. Thank you for your interest in our fine line of superior products.

We're the "good guys to deal with!"

Paver Edging: B.E.A.S.T.	02
Paver Edging: Edge-All	03
Paver Edging: Simflex Plastic	03
Paver Edging: Aluminum	04-05
Landscape Edging: Edgestar	06-07
Drains	07
Shims + Marking Paints + Tarps	08
Adhesives	09
Grabo	10-11
Block and Paver Splitters	12-13
Lifting Equipment	14-15
Tamper Mat	15
Geogrid	15
Hand Tools + Mallets	16
Paver Tools + Screeds	17
LEDeze Retaining Wall & Stair Lights	18-19
LEDeze Recessed Lighting	20-23
LEDeze Spot and Path Lighting	24
Wire, Transformers, Controllers	25-27
Dekor Lighting	28-29



B.E.A.S.T. PLASTER PAVER EDGING #350

Over thirty years of experience and millions of feet of paver installations have gone into the development of the B.E.A.S.T.

**NORTH AMERICA'S
#1 BEST SELLING
PAVER EDGING**

B.E.A.S.T. #350

- Just one piece does both straight lines and curves
- Allows installation of pavers on either side of edging
- Staggered lattice nailing to ensure maximum hold
- Extra wide base for increased stability
- Easy to install with 10" or 12" nails
- Allows natural vegetation growth
- 100% recycled plastic

Wall: 1.75"
Foot: 3"
Width: 2.5"
Available in 8 ft lengths



Spiral spikes #400
Sold in individual 50lb. boxes or
by the pallet (50 cases)
10" Bright Steel Spiral: approx.
235 pcs.



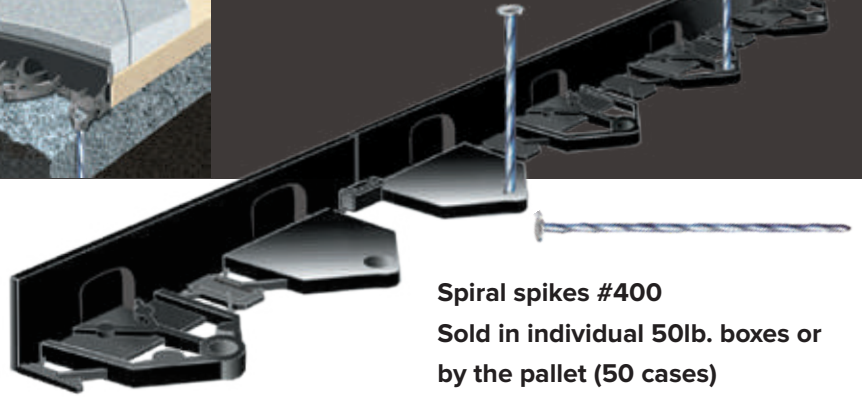
**EDGE-ALL**

EDGE-ALL LOW PROFILE PAVER EDGING #370

EDGE-ALL #370

- Ideal for thin pavers, wetcast stone, and flagstones
- Super strength
- Super flexibility
- Amazing straight lines
- Perfect curves

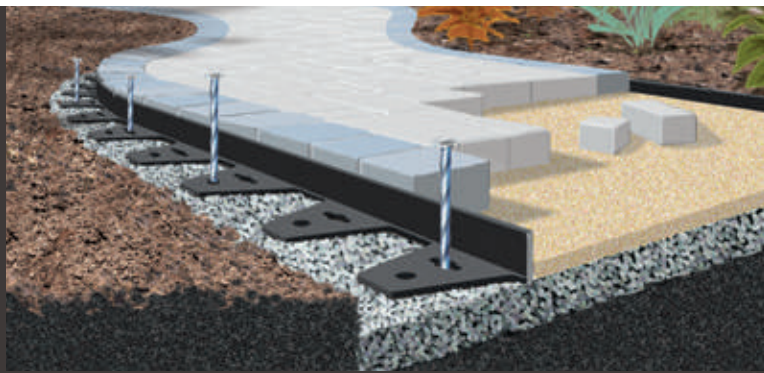
Wall: 1.5" Foot: 2.25" Available in convenient 6 ft lengths



Spiral spikes #400

Sold in individual 50lb. boxes or
by the pallet (50 cases)

10 Bright Steel Spiral: approx. 235 pcs.



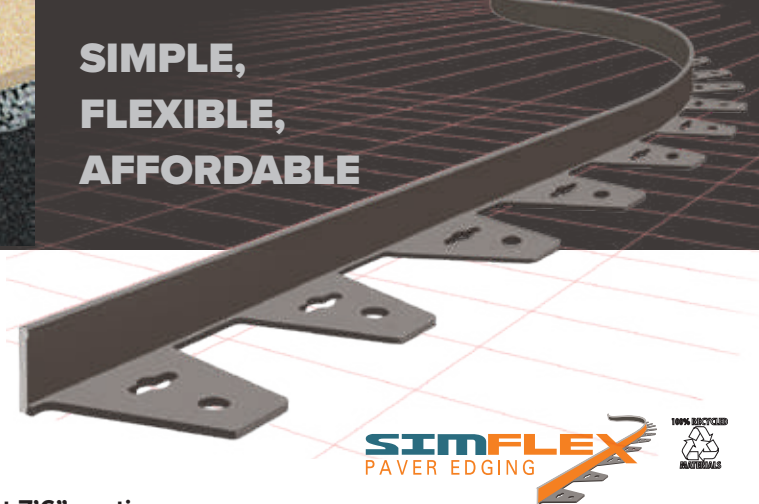
SIMFLEX PLASTIC PAVER EDGING #250

**SIMPLE,
FLEXIBLE,
AFFORDABLE**

SIMFLEX #250

- Installs easily
- Requires no cutting for curves; suitable for both straight and radius installations
- Ideal for driveways, walkways and patios
- Thick profile manufactured from recycled plastic

Wall: 1.625" Foot: 2.75" Thickness: 0.31" Convenient 7'6" sections

**SIMFLEX XS**
PAVER EDGING

SIMFLEX XS EXTRA STRONG PLASTIC PAVER EDGING #255

SIMFLEX XS #255



- Installs easily
- Requires no cutting for curves; suitable for both straight and radius installations
- Ideal for driveways, walkways and patios
- Thick profile manufactured from recycled plastic

Wall: 1.75" Foot: 2.75" Thickness: 0.31" Convenient 7'6" sections





ALUMINUM PAVER EDGING #150

Brickstop Advantages:

THE ORIGINAL L-SHAPED PAVER EDGING

Because your reputation is at stake.

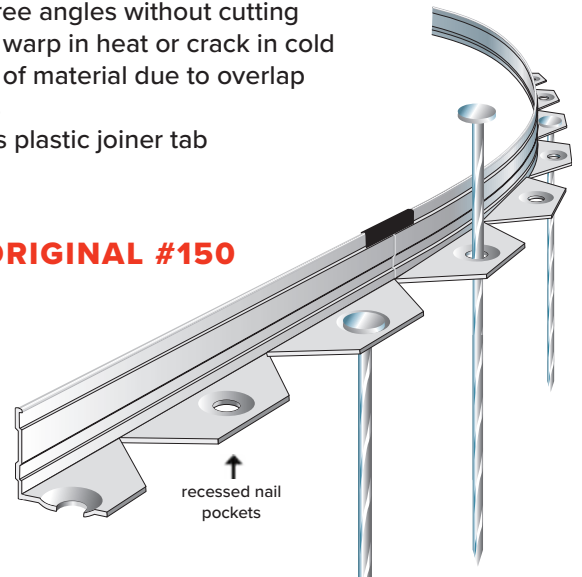
BrickStop Aluminum Edging bends to your needs no matter how complex your interlocking brick and paving stone design. Made of aluminum, it's strong enough for straight lines, yet flexible enough to follow the most intricate curved patterns, with optional installation of pavers on either side of the edging.

BrickStop Aluminum Edging prevents the shifting and movement of pavers that could turn your project into an eyesore. BrickStop comes through with a patented design that lets you form 90 degree angles without cutting. Its quick "either side" installation helps bring labour costs down and creates the long lasting results that will keep customer referrals coming year after year.

- Convenient 8'4" lengths
- Made of non-rusting recycled aluminum
- Allows installation of pavers on either side of edging
- Completely hidden from view
- One piece for straight or curved patterns
- 90 degree angles without cutting
- Will not warp in heat or crack in cold
- No loss of material due to overlap at joints
- Includes plastic joiner tab



ORIGINAL #150



Spiral spikes #400

Sold in individual 50lb. boxes or by the pallet (50 cases)

10" Bright Steel Spiral: approx. 235 pcs.

Length: 8'4" (2.54m)

Height: 1.5" (35mm)

Thickness: 0.125" (3.2mm)

Flange: 1.5" x 4" (35mm x 102mm)

Alloy: 6063 aluminum

T-5 hardness

US Patent

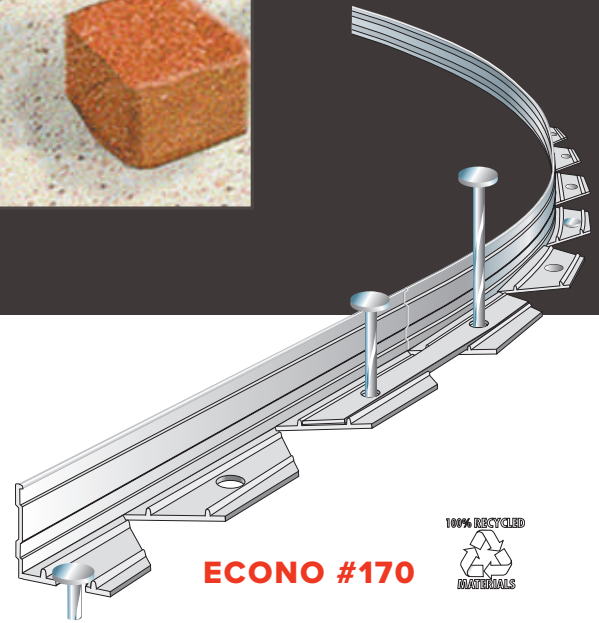


ALUMINUM PAVER EDGING #170

#170 - THE ECONOMY L-SHAPED PAVER EDGING

An economical option to our original #150 Paver Edging, with all the same attributes that aluminum paver edging offers.

Length: 8'4" (2.54m)
Height: 1.5" (35mm)
Thickness: 0.105" (2.67mm)
Flange: 1.45" x 4" (34mm x 102mm)
Alloy 6063 Aluminum
t-5 Hardness



LOW PROFILE ALUMINUM EDGING #120

Brickstop's Lowest Profile Aluminum Edging is ideal for use with 20mm porcelain pavers, flagstone, wetcast shapes and bluestone. Our aluminum edging bends to your needs no matter how complex your design requirements. Made of aluminum, it's strong enough for straight lines, yet flexible enough to follow the most intricate curved patterns.

LOW-PROFILE ALUMINUM EDGING #120

- Convenient 8' lengths
- Made of non-rusting recycled aluminum
- Completely hidden from view
- One piece for straight or curved patterns
- 90 degree angles without cutting
- Will not warp in heat or crack in cold
- No loss of material due to overlap at joints

Length: 8' (2.44m)
Height: 5/8" (17mm)
Thickness: 0.125" (3.2mm)
Flange: 1.5" x 4" (35mm x 102mm)
Alloy: 6063 aluminum
T-5 hardness





ORIGINAL #210

Sizes: 1/8" by 4" (3.2mm by 100mm)
residential/commercial

Finishes: Mill finish; natural aluminum or
black anodized

Length: 8'0" (2.44M) sections – nail every
23"

Nails: 10" by 3/8" spiral steel nails (not
included)

Convenient 8' Sections

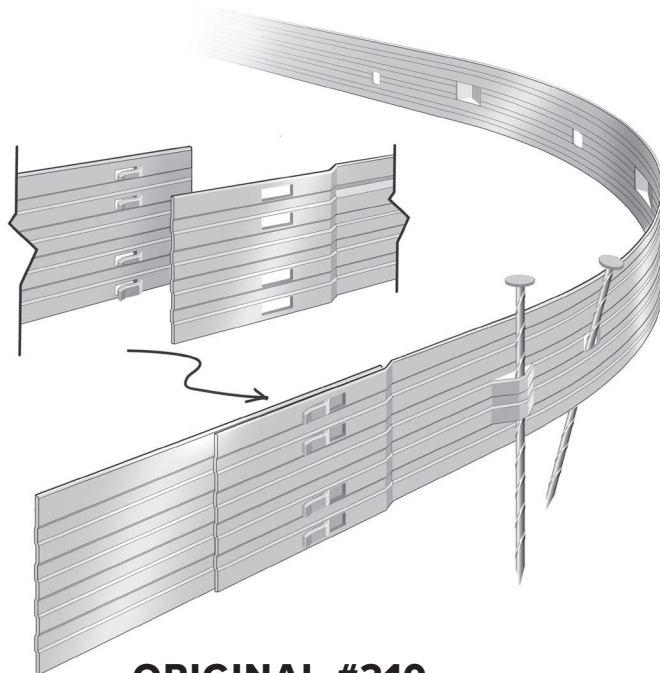
EDGESTAR LANDSCAPE EDGING #210

EDGESTAR ADVANTAGES:

- Keyhole Interlocking System: Lengths are easily and quickly connected.
- Superior Reinforcement – 8' lengths: Rigid enough to provide perfectly straight lines; flexible enough for the most demanding curves.
- No need to use heavier gauge or more costly material to maintain straight runs.
- Heavy duty 1 1/8" nail loops located every 23": allows for more frequent nailing positions, providing superior anchoring where required.
- Steel Nail Anchoring: Spiral 10" nails readily available.

EDGESTAR is produced in 1/8" thickness. Our product's design will maintain straight lines even for the heaviest commercial applications. EDGESTAR is ideally suited for use as a planting bed edging in both residential and commercial applications. Other uses include edging for walkways, jogging trails, running tracks, asphalt borders and maintenance strips.

Available in black anodized.



ORIGINAL #210 WITH SNAP-IN INTERLOCKING TABS



Spiral spikes #400

**Sold in individual 50lb. boxes or
by the pallet (50 cases)**

**10" Bright Steel Spiral: approx.
235 pcs.**

KEEPS GARDEN BEDS CLEAN AND NEAT!

GREENLINE LAWN/LANDSCAPE EDGING



PRO-T #240



- Corrugated side wall construction
- Rigid yet flexible, will easily follow the contours of your design
- "T"-shaped base resists frost heave
- Convenient, easy-to-handle 8 foot lengths
- 10 strips per bundle (anchoring stakes, straight or corner connectors sold separately)

PRO-V #260



- Clean lines provide for ease of installation
- "V"-shaped base resists frost heave
- Convenient, easy-to-handle 8 foot lengths
- Economically priced
- 10 strips per bundle (anchoring stakes, straight or corner connectors sold separately)

ACCESSORIES

- #261** 9" Galvanized Steel Anchoring Stakes
- #262** 6" Straight Connector
- #263** 90 Degree Corner Connector



DRAINS

UNIVERSAL WALL DRAIN PRO #WDP03/WDP04

- designed for all 3"-8" block easy installation
- aesthetically pleasing
- reduced labour costs
- height easily modified for use with any size block or timber

#WDP03

- male end snaps into 3" piping

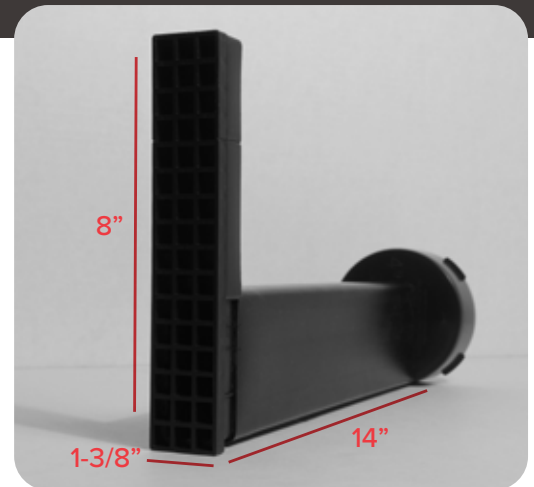
#WDP04

- male end snaps into 4" piping

CHOOSE YOUR COLOUR



grey tan black



47" neck extension available



DRAINAGE KIT #PC100A

This is ideal for below grade driveways.

DRAINAGE KIT INCLUDES:

- 3 drains (39" each)
- 3 stainless steel grates
- 1 solid end cap (#DN75)



REPLACEMENT CLIP #PC100C (FOR #PC100A)

END CAP FOR 4" PIPE #PC100B



SOLID END CAP #DN75 (FOR #PC100A)



SHIMS + MARKING PAINT

EZ-SHIM™ #512

THE ALL PLASTIC LOAD BEARING SHIM




FEATURES AND BENEFITS:


- LOAD BEARING up to 8,000 psi • WEATHERPROOF
- Easy break off points • Handles big nails and screws
- Injection molded into sheets of ten / 36 sheets per case



LOAD TESTED

Compression (downward force) until deflection. Results measured in psi (avg.)

		HEEL	MID	TOE
EZ-SHIM		8,029 psi	7,993 psi	7,947 psi
CEDAR		1,367 psi	1,711 psi	5,370 psi
PINE		1,848 psi	2,288 psi	4,215 psi



PROFESSIONAL'S CHOICE FOR:

- appliances • bathrooms
- construction
- decks • fountains • glass block
- heavy load applications
- jacuzzis + spas
- landscape architecture
- marine • paving stone systems
- precast concrete & columns
- stone & masonry
- vinyl decking systems

BRICKSTOP INVERTED MARKING PAINT #550

FEATURES AND BENEFITS:

- Ultra bright
- Inverted tip
- Fast dry – non clogging
- Water based – safe on grass and plants
- Lead free – VOC Compliant
- Colors – Fluorescent Orange, Fluorescent Red, Hot Pink, White
- 12 – 482 gr. cans/cas
- 17 oz.



TARPS



ALL-SEASON CONSTRUCTION QUALITY, MULTI-PURPOSE TARPS

- 8x8 weave
- 4 spare ropes
- double reinforced corners
- waterproof + rot-proof
- rope reinforced hems
- grommets every 3 ft
- 90 grams/sq meter

- #701** 6FT X 8FT
- #702** 8FT X 10FT
- #703** 9FT X 12FT
- #704** 10FT X 15FT
- #705** 12FT X 18FT
- #706** 15FT X 20FT
- #707** 18FT X 24FT
- #708** 20FT X 30FT
- #709** 24FT X 40FT
- #710** 30FT X 50 FT
- #711** 40FT X 60FT



**EXTRA
STRENGTH**

**HEAVY DUTY PREMIUM
POLYURETHANE FOR
CONCRETE AND STONE**



Brickstop Brickstik is a one-component premium polyurethane adhesive. Specially formulated to adhere to wet or frozen surfaces. Brickstik is specifically engineered for the Concrete and Paver/Retaining wall industry.

Brickstik is designed to resist water and frost to permanently bond stone, brick, and concrete. Brickstik can be applied in a wide installation temperature span and will not freeze.

FEATURES AND BENEFITS:

- VOC Compliant
- Environmentally sensitive
- Easy gunning – user friendly
- Fast curing – quicker adhesion

SUBSTRATE BOND STRENGTH	24 HOURS	7 DAYS:
Concrete to Concrete	300	350

BEAD SIZE IN INCHES (MM)	LINEAL FEET PER 313 ML	LINEAL FEET PER 858 ML
1/8 (3)	129	353
3/16 (5)	57	156
1/4 (6)	32	87
5/16 (8)	20	54
3/8 (10)	14	38

#1010 10.5 OZ (313ml), 24/CASE

#1028 29 OZ (858ml), 12/CASE

GRABO Pro 2.0



LANDSCAPE PRODUCTS

“Heavy Lifting Made Easy”

PORTABLE ELECTRIC VACUUM LIFTER



GRABO PRO-LIFTER 2.0 #530

KIT INCLUDES:

GRABO Pro-Lifter comes as a complete unit, with pre-installed battery and vacuum seal.

That is not all. There are other accessories in the kit, including a multi-socket charger and a heavy duty carry bag. The complete kit is packaged in a functionally designed colorful box.

Package Contents:

- 1 GRABO Pro tool (2021 model with digital display)
- 1 multi-socket charger
- 1 battery (preinstalled on the tool)
- Operator’s manual in English
- 1 seal (preinstalled on the tool)
- 1 tough Oxford fabric carry bag



The GRABO Pro-Lifter is designed for professionals. The tool is portable and handy. Equally effective on smooth as well as coarse surfaces. Has a pumping capacity of 20 liters per minute, a best in class. Say good-bye to unreliable, and often dangerous, manual suction cups for the job. With GRABO Pro you double your work efficiency with enhanced safety.

Ergonomically designed to provide better grip and less fatigue when moving heavy objects. An effective vacuum lifter even for dusty, semi-porous or rough surfaces. Works perfectly with glass, wood, ceramic tiles, metals and other materials. The powerful vacuum pump and rechargeable battery pack are concealed within the grab handle.

GRABO Pro 2.0 Weight lifting safety parameters

Material / Direction	Glass	Ceramic tiles	Metal	Plastic	wood	Rough Slate	Rough Concrete	Dry Wall
PERPENDICULAR HOLD	375 Lbs (170 kg)	375 Lbs (170 kg)	242 Lbs (110 kg)	220 Lbs (100 kg)	220 Lbs (100 kg)	176 Lbs (80 kg)	176 Lbs (80 kg)	165 Lbs (75 kg)
PARALLEL HOLD	265 Lbs (120 kg)	265 Lbs (120 kg)	242 Lbs (110 kg)	220 Lbs (100 kg)	143 Lbs (65 kg)	176 Lbs (80 kg)	176 Lbs (80 kg)	143 Lbs (65 kg)



GRABO #520

- KIT INCLUDES: • 2 - rechargeable batterypacks
• Charger • Canvas bag • Extra foam rubber seal • Filter



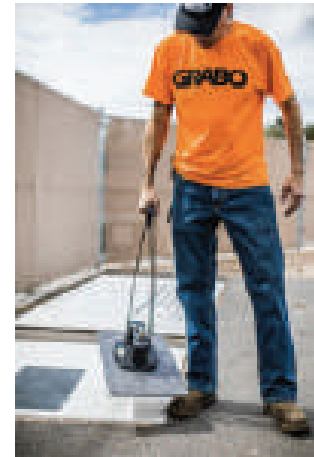
Material / Direction	Glass	Ceramic tiles	Metal	Plastic	Wood	Rough Slate	Rough Concrete	Dry Wall
PERPENDICULAR	375 Lbs	375 Lbs	242 Lbs	220 Lbs	220 Lbs	176 Lbs	176 Lbs	165 Lbs
PARALLEL	265 Lbs	265 Lbs	242 Lbs	220 Lbs	143 Lbs	176 Lbs	176 Lbs	143 Lbs



ERGUO S1 attachment #525

One of the objectives for making a portable heavy lifting tool was to reduce work related fatigue or injuries. Working long days in a bent down position to lift materials may have an impact on your back. To avoid this scenario, we have developed the Erguo S1 portable lifting attachment.

The ergonomically designed attachment allows the worker to operate the GRABO tool without bending. The attachment easily fits into the 4 lifting lugs next to the grab handles of the tool. Simply activate the GRABO tool to lift your material, lift and position the material, and release the tool from the material, all this is done in one swift motion without bending down. The actuator on the handle bar helps in controlling the functions. The Erguo S1 attachment is compatible with all models, except the Grabo H as that is designed for simpler and shorter duration usage.



High-capacity spare battery #523

If you are working in a remote location or need spare batteries, then just order as many from any of our suppliers.

These batteries are as powerful as the ones supplied with the tool. A full battery charge delivers up to 900 operating cycles or 1.5 hours of uninterrupted run time. The high-capacity battery can be used with all models except GRABO H.



Extra Seals #522

With continuous usages the seals wear out. When the GRABO seal finally wears out, the lifting capacity diminishes. In this case you can replace the worn seal by hand within seconds.

You can use the spare one supplied with the kit. Alternatively you can buy as many from any of the distributors or retailers. This patented high friction foam-rubber seal fits all GRABO models.



RockSeal™ #524 is a new seal system that fits all GRABO models, including Nemo GRABO, GRABO Pro lifter-20, RTC tools GRABO, FXAH-120 Probst GRABO, Topspin Powertools GRABO and other co-branded units.

This patented seal is designed specifically for extremely rough stone & rock surfaces with up to 10 mm surface profile.

NEW PRODUCT



BLOCK & PAVER SPLITTER #FBS40

Designed for splitting: • Retaining Wall • Cap Stone • Rough Cut Face Stone • Paving Stones • Granite and most other flat stone materials on the market today

Spring loaded tray for angled “undercuts” when cutting pavers

Easy one dial system: (unlike two dials) for perfect cuts every time (No need to set screw every time when cutting same size stone)

Great cutting range:
Cutting Width: 16”
Cutting Height: 8.3”
Weight: 135 LBS.



HYDRAULIC BLOCK AND BRICK SPLITTER #FBS60

NEW PRODUCT

Designed for splitting: • Retaining Wall • Cap Stone • Rough Cut Face Stone • Granite • Paving Stones - and most other flat stone materials on the market today • Over 20 ton cutting force

Spring loaded tray for angled “undercuts” when cutting pavers

Adjustable blade height: for all ‘flat faced’ products up to 235 mm

Heavy weight construction: takes a lot of abuse

Reversible blades: with 3 cutting edges



Cutting Width: 25.6” **Width: 32.28”**
Cutting Height: 9.25” **Height: 40.95”**
Length: 28.74” **Weight: 218.26 lbs**

MONTOLIT BLOCK & PAVER CUTTERS

MADE IN
ITALY



BLOCK AND PAVER SPLITTER #BK43

Blade cutting length 13" Cuts from 0" - 4.33" Weight 62 lbs.



PAVER CUTTER #6L

Designed and constructed specifically for splitting pavers. This lightweight paving stone cutter easily transports.

The 6L is quick, efficient and will cut up to 3.9" paving stone.

Cutting width: 12.2"
Cutting height: 0"-3.9"
Weight: 66 lbs.

PAVER CART #2002



Lifts a complete band of pavers at one time. Saves time, money and labour. Less handling reduces chipping and breaking of materials and speeds up installation.

FEATURES:

- large pneumatic turf-profile tires
- solid steel pallet roller
- handle assembly detaches for easy transport
- reinforced cross-braced handles prevent twisting
- foot bar for increased leverage
- can be used for both palletized/unpalletized materials
- Shipping weight: 165 lbs.
- Overall dimensions: 40" x 21" x 69"
- Safe Lifting Load: 600
- Width adjusts from 34"-40"



Our clamps are made by BSV in Denmark. They have been making clamps for 110 years and your operators will fight for the truck that's equipped with the BSV.

All clamps protect the product with rubber contact pads for safe and easy loading and offloading. All clamps are gravity controlled – they open when rested and close when lifted.

We can supply custom clamp solutions if you require a clamp or grab not shown. Many other sizes and configurations are available by special order. Be sure to describe your needs to your salesman as not all clamps are suitable for fork-truck use.

SCISSOR CLAMP #BSV MULTI 760/50Z



The width of this clamp can be adjusted from 15.75" to 42". A maximum safe working load of 3,300 lbs, the scissor clamp is extremely versatile and ideal for heavy-duty multi-purpose use. Pictured with optional fork yoke.



CLAMP #BSV 32/38

For moving the heavier stuff. The 32/38 will safely lift loads from 32" to 38" and up to 4070 lbs. This clamp will perform.



SCISSOR CLAMP MODEL #10-38

A lightweight clamp suitable for lifting curbs and other narrow stones. Lifts from 4" to 15" at a maximum safe working load of 1540 lbs.



JED CLAMP IT / TREAD/CURB CLAMP

J900	4" - 22" max width	900lbs
J2400	8" - 32" max width	2400lbs
J3000	12" - 42" max width	3000lbs

PALLET FORK MODE PG 100 / 2-SSB-SBL SELF-BALANCING

This model has a spring-loaded head so that the fork always remains horizontal, loaded or unloaded. Also available with 'bow' for deliveries on uneven ground.



PAVER-PRY #504

The ideal tool for positioning pavers and checking joints.



SECTIONS CLAMP #1002

With the versatile lifting range of 9"-42" and a safe working load of 1600 lbs., this clamp is capable of picking up 1-2 sections of pavers at a time. The 1002 is perfect for separating cubes of pavers and handling materials on site. Fork Yoke Attachment available. **Made in Canada.**



MONTOLIT CURB CLAMP #A016 (R)
Mechanical or hand-lifter. 3.15"-7" 440lb capacity



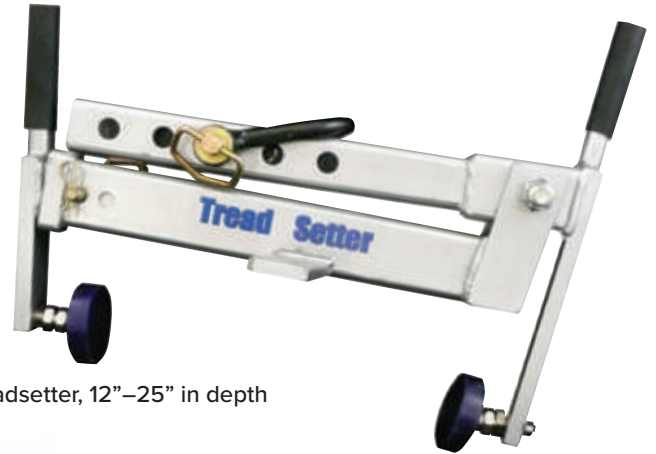
PAVER EXTRACTOR GALVANIZED #502N
Adjustable: 7.8"-11.8"
Weight: 10 lbs
7 YEAR WARRANTY (excluding teeth)

LIFTING EQUIPMENT

TREADSETTER #600T/1200T

Eliminate finger smashing, back breaking, time consuming and work-related injuries using the new TREADSETTER. The Treadsetter is designed to handle various step treads from 12"–35" in depth – up to 4" in width and with a 6"–8" rise.

This new product is easily adjusted to tread width and balance. The tool has pivot-style urethane ends to reduce slippage and protect the stone, as well as servicing other applications in various weather conditions. Ideal for Rosetta Stone.



TWO SIZE AND WEIGHT CAPACITIES

1200T: 1200 lb Treadsetter, 20"–35" in depth

600T: 600 lb Treadsetter, 12"–25" in depth



2 MAN CURB LIFTER #2CL425

Range: 19.5" - 43" Weight: 25 lbs

TAMPER MAT PRO #510

High-Modulus Polyethylene Thermoplastic

- Attaches to many different plate compactors with its universal size of 19" wide x 24" long x 0.25" thick. Flexible front lip.
- Matt includes 1 pair universal aluminum mounting brackets.
- Quick attachment at any point during a project without slowing down the job.
- Keeps the travel speed and compaction force you need when making that critical final pass over the pavers and poly sand.
- Lasts a long time – high abrasion resistance and low coefficient of friction.
- May be cut down to small sizes



GEOGRID



GEOGRID RETAINING WALL SYSTEM

- **BG100** 4' X 50' DEALER DISPLAY, 22 SQ.YDS
- **BG150** 6' X 150', 100 SQ.YDS.
- **BG200** 6' X 300', 200 SQ.YDS.
- **BG350** 6' X 300', 200 SQ.YDS.
- OTHER SIZES AVAILABLE UPON REQUEST

12 rolls/case, unidirectional Geogrid provides advanced options for dealing with common civil engineering problems and difficult soils. The highest quality for retaining walls, reinforced steep slopes and embankments over soft soils.

Geogrid is constructed of high molecular weight and high tenacity polyester yarns utilizing a complex knitting process and low temperature coating technology to provide superior engineering properties. UV stabilized coating provides further chemical and mechanical benefits.

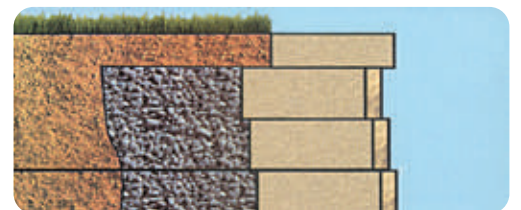
GEOGRID BY BRICKSTOP IS USED FOR:

- Retaining Walls
- Landscape Repair
- Timber Walls
- Paver Reinforcement
- Steep Slopes



SPECS

Biaxial **LTDS:** MD 822 lbs/ft
CMD: 882 lbs/ft
 Recommended for wall heights up to 6'



HAND TOOLS



RUBBER MALLET #603

32 oz, Case of 24



DEAD BLOW #605

4 lbs, case of 12



MASON HAMMER #607

24 oz. with fiberglass handle, case of 6



DOUBLE HEADED PAVER MALLET #412

Galvanized Steel 15" Handle
Flat Head, weight: 5.5 lbs



CLUB HAMMER #602

2.5 lbs. with fiberglass handle, case of 6



GUMMY MALLET #601

32 oz, made in Italy



TORPEDO LEVELS #612

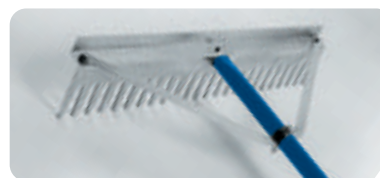
12"



3" CHISEL #613

4" CHISEL #614

Brick bolster, case of 25.



LANDSCAPE/GRADING RAKE

The strongest aluminum rake money can buy! All-aluminum construction – lightweight, 5.5 lbs. (30" 36" 42" 48")

Extra thick tines, up to 50% more material and an extended striking edge to reduce dirt buildup. 66" aluminum alloy handle is powder-coated to eliminate blackened hands. Head connection is secured with a solid aluminum plug for maximum strength. Wrap-around bracing.



CAULKING GUN #413

9" - 24/case
13" - 12/case



25' TAPE #609

Case of 6.



CAULKING GUN #419



SQUEEGEE + POLE #805

Case pack of 12.



CANADIAN MADE, INDUSTRIAL QUALITY BROOMS

Stiff bristle, heavy sweep exterior use.

18" heavy duty broom #801

24" heavy duty broom #802



BRICK WASHING BRUSH #806

6" x 2.5". Natural fiber for cleaning brick, stone, etc. Case pack of 12.



DRIVEWAY APPLICATOR + POLE #804

Case pack of 12.



PAVER PERSUADER #503

New galvanized steel 36" handle, 8 lbs.



ECONOMY KNIT WITH COATED PALM #LC2009

Form knitted shell with latex coating offers an excellent grip. Flexible, comfortable and durable. Sold by the dozen pair.

One size fits all.



PAVER MALLET #602-6

13" Handle - 2³/₈" Head
3.5lbs.

This mallet is made of iron and has replaceable inserts. It's perfect for wall projects. Comes with a life-time warranty.

INSERTS INCLUDED:

1. Black Composite Rubber / medium hard
2. Red Plastic/hard



WALL MALLET #602-8

19" Handle - 3¹/₈" Head
6.6 lbs.

Ideal for retaining wall cap stones. Comes with a life-time warranty.

INSERTS INCLUDED:

1. Black Composite Rubber / medium hard
2. White Nylon/hard



BP PAVER MALLET #696-8

9.5" Handle - 2" Head
3.2 lbs.

This is a soft-face mallet. It is designed with two different inserts of varied hardness. This is a great mallet to use for small adjustments without damaging your products. Comes with a life-time warranty.

INSERTS INCLUDED:

1. White Nylon/hard
2. Red Plastic/hard



DEAD BLOW (40MM) #636-4 14" Handle - 4" Head, 1.6 lbs.

DEAD BLOW (70MM) #636-7 14¹/₂" Handle - 4¹/₂" Head, 5 lbs.

This dead-blow mallet has a steel head with replaceable nylon inserts. A sealed container, within the insert, is filled with a steel shot for a rebound-free strike. Comes with a life-time warranty.

INSERTS INCLUDED: 1. White Nylon / hard



SLEDGE MALLET #602-7

31" Handle - 3¹/₈" Head
7.4 lbs.

This sledge mallet is the perfect tool for damage-free, major adjustments. Comes with a life-time warranty.

INSERTS INCLUDED:

1. Black Composite Rubber / medium hard
2. White Superplastic/medium hard



REPLACEMENT INSERTS



WHITE NYLON

- For item #602-8 use insert #620-88
- For item #636-4 use insert #650-84
- For item #636-7 use insert #650-87
- For item #696-8 use insert #698-85



RED PLASTIC

- For item #602-6 use insert #620-66
- For item #696-8 use insert #696-65



WHITE SUPERPLASTIC

- For item #602-7 use insert #620-78



BLACK COMPOSITE RUBBER

- For item #602-6 use insert #620-26
- For item #602-7 use insert #620-28
- For item #602-8 use insert #620-28

- #509-4 - 4FT
- #509-6 - 6FT
- #509-8 - 8FT

ALUMINUM SCREED BAR

Lightweight, hollow. 1" x 4". Lengths: 4', 6', 8'.

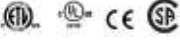



ALUMINUM SCREED RAIL #508

Helps set levels. Lightweight. 1" x 8'.



The easiest way to buy wall lights is by shopping for one of our many lighting kits. They come with everything you need like transformers, timers, wires and more. All our kits can be expanded to add more lights. You can add additional lights up to the wattage supported by the transformer or power supply. If you need to add more lights you can upgrade the transformer to a higher wattage. All our lights must be used with a Transformer.

ALL KITS				PLUG & PLAY ▶		
Voltage:	12V AC/DC	Wattage:	2W		These lights are also available with a swivel light strip	
Beam Degree:	120°	Color Temp:	Warm White - 2700K			
Housing:	Stainless Steel	Lumen Output:	180 Lumens	120° Rotation of Swivel Light Direct your light output where you need it to focus		
Dimensions:	6-7/8" x 3-3/4" x 1/2"	Number of LEDs:	6 SMD			
Pigtail Length:	54"					

- Outdoor Lighting
- Plug and Play Wiring - ends can be clipped off to use with a HARDWIRE system
- Excellent for hardscape applications
- Ideal for adding light to any outdoor application
- Low power consumption - 2W
- High Brightness SMD chip technology
- cETLus Listed
- With waterproof connector/plug - IP67
- Dimmable (when used with a dimmable transformer)
- LED light strip is detachable and replaceable

• Available Trim Colors: Black and Grey

Hardscape Retaining Wall Light LED

#EZWL2-BLK

#EZWL2-GREY



Hardscape Retaining Wall Lights KIT

4 LED Wall Lights with Wire-Harness Splitter

#EZKITWL4-BLK

#EZKITWL4-GREY

- Kit Includes:**
- 4 Wall Lights
 - 1 Wire Harness Splitter to connect lights to transformer (transformer sold separately)



Hardscape Retaining Wall Lights KIT

4 LED Wall Lights with Transformer and Wire Splitter

#EZKITWL4TW-BLK

#EZKITWL4TW-GREY

- Kit Includes:**
- 4 Wall Lights
 - 1 Transformer 36W (non-dimmable)
 - 1 Wire Harness Splitter to connect lights to transformer



Retaining Wall Light KIT

4 LED Wall Lights with 36-Watt Transformer, Photocell Timer, Wire-Harness and 10-foot Extension Cable

#EZKITWL4SET-BLK

#EZKITWL4SET-GREY

- Kit Includes:**
- 4 Wall Lights
 - 1 Transformer - 36 Watts
 - 1 Photocell Timer
 - 1 Wire Harness to connect lights to transformer
 - 1 Extension Cable - 10ft



RETAINING WALL AND STAIR LIGHTS



- Outdoor Lighting
- Excellent for hardscape applications
- Ideal for adding light to any outdoor application including rock walls and retaining walls
- Low power consumption - 1.8W
- Color Temperature: Warm White 2700K
- Length: 6.9"
- Wiring: Plug & Play

Hardscape Retaining Wall Light 6.9" Brown Trim - 2700K Warm White

#EZWL845PP



Hardscape Retaining Wall Light 6.9" Grey Trim - 2700K Warm White

#EZWL836PP



Hardscape Retaining Wall Light LED 13.2" Brown Trim - 2700K Warm White

#EZWL855PP



Hardscape Retaining Wall Light LED 13.2" Grey Trim - 2700K Warm White

#EZWL866PP



LED Railing Light Strip 4" with Plug and Play Connector 2 Watts #EZLS2

This LED light strip can be screwed directly into your wall or steps. It's also the replacement strip for our retaining wall light #EZWL2.

- Outdoor Lighting
- Plug and Play Wiring - ends can be clipped off to use with a HARDWIRE system
- Ideal for adding light to any outdoor application
- Low power consumption - 2W
- High Brightness SMD chip technology
- cETLus Listed
- With waterproof connector/plug - IP67

Voltage:	12V AC/DC
Beam Degree:	120°
Pigtail Length:	54"
Wattage:	2W
Color Temp:	Warm White - 2700K
Lumen Output:	180 Lumens
Number of LEDs:	6 SMD



RECESSED LIGHTS

The easiest way to buy recessed lights is by shopping for one of our many lighting kits. They come with everything you need like transformers, timers, wires and more. All our kits can be expanded to add more lights. You can add additional lights up to the wattage supported by the transformer or power supply. If you need to add more lights you can upgrade the transformer to a higher wattage. All our lights must be used with a Transformer.



ALL KITS & LIGHTS			
Voltage:	12V AC/DC	Pigtail Length:	11-3/4"
Lens:	Frosted	Wattage:	0.5W
IP Rating:	67	Lumen Output:	44
Mounting Hole Diameter:	1-1/4"	Number of LEDs:	6
Width of Bezel:	1-1/2"		

- Outdoor Lighting
- Plug and Play Wiring - ends can be clipped off to use with a HARDWIRE system
- Recessed Step and deck light
- Accent Light
- Display and cabinet light
- Spring clips allow simple pressure fit installation
- Fully sealed for outdoor use
- Dimmable (when used with a dimmable transformer)



LED Outdoor Recessed Lights KIT

4 Mini Deck/Patio Lights (Spring Fit) with Transformer and Wire Splitter - Small Round Metal Trim

#EZKITRT-TW

Color Temp: Warmer White 2700K

Kit includes:

- 4 Recessed Lights
- 1 Transformer 36W (non-dimmable)
- 1 Wire-Harness Splitter to connect lights to transformer



LED Outdoor Recessed Lights KIT - 4 Mini

Deck/Patio Lights (Spring Fit) with Wire Harness Splitter - Small Round Metal Trim

#EZKITRT4

Color Temp: Warmer White 2700K

Kit includes:

- 4 Recessed Lights
- 1 Transformer 36W (non-dimmable)
- 1 Wire-Harness Splitter to connect lights to transformer



LED Outdoor Recessed Lights Kit - 8 Mini

Deck Lights (Spring Fit) with Transformer, Timer, Wires and Cables, Forstner Drill - Small Round Trim

#EZKITRT8

Color Temp: Warmer White 2700K

Kit includes:

- 8 Recessed Lights
- 1 Transformer - 36 Watts (non-dimmable)
- 1 Photocell Timer
- 2 Wire-Harness Splitters to connect lights to transformer
- 1 Extension Cable - 10ft
- 1 Forstner Drill Bit



LED Outdoor Recessed Mini Deck/Patio Light

(Spring Fit) - Small Round Metal Trim

#EZDLR12

Color Temp: Warmer White 2700K



RECESSED LIGHTS



ALL KITS & LIGHTS

Voltage:	12V AC/DC	Pigtail Length:	11-3/4"
Lens:	Frosted	Wattage:	0.5W
IP Rating:	67	Lumen Output:	44
Mounting Hole Diameter:	1-1/4"	Number of LEDs:	6
Width of Bezel:	1-1/2"		



- Outdoor Lighting
- Plug and Play Wiring - ends can be clipped off to use with a HARDWIRE system
- Scoop trim for angled beam
- Recessed Step and deck light
- Accent Light
- Display and cabinet light
- Spring clips allow simple pressure fit installation
- Fully sealed for outdoor use
- Dimmable (when used with a dimmable transformer)

LED Outdoor Recessed Lights KIT

4 Mini Deck/Patio Lights (Spring Fit) with Wire Harness Splitter - Small Round Metal SCOOP Trim

#EZKITSC4

Color Temp: Warmer White 2700K

Kit includes:

- 4 Recessed Lights
- 1 Wire-Harness Splitter to connect lights to transformer (transformer sold separately)



LED Outdoor Recessed Lights KIT

4 Mini Deck/Patio Lights (Spring Fit) with Transformer and Wire Splitter Small Round Metal SCOOP Trim

#EZKITSC-TW

Color Temp: Warm White 2700K

Kit includes:

- 4 Recessed Lights
- 1 Transformer 36W (non-dimmable)
- 1 Wire-Harness Splitter to connect lights to transformer



LED Outdoor Recessed Lights Kit

8 Mini Deck Lights with Transformer, Timer, Wires, Forstner Drill Small Round Metal SCOOP Trim

#EZKITSC8

Color Temp: Warmer White 2700K

Kit includes:

- 8 Recessed Lights
- 1 Transformer - 36 Watts (non-dimmable)
- 1 Photocell Timer
- 2 Wire-Harness Splitters to connect lights to transformer
- 1 Extension Cable - 10ft
- 1 Forstner Drill Bit



LED Outdoor Recessed Mini Deck/Patio Light (Spring Fit)

Small Round Metal SCOOP Trim

#EZSC12

Color Temp: Warmer White 2700K



RECESSED LIGHTS

ALL KITS

Voltage:	12V AC/DC	Pigtail Length:	11-3/4"
Lens:	Frosted	Wattage:	0.5W
IP Rating:	67	Lumen Output:	44
Mounting Hole Diameter:	1-1/4"	Number of LEDs:	6
Width of Bezel:	1-1/2"		

- Outdoor Lighting
- Plug and Play Wiring - ends can be clipped off to use with a HARDWIRE system
- Recessed Step and deck light
- Accent Light
- Display and cabinet light
- Spring clips allow simple pressure fit installation
- Fully sealed for outdoor use
- Dimmable (when used with a dimmable transformer)

PLUG & PLAY



LED Outdoor Recessed Lights KIT

4 Mini Deck/Patio Lights (Spring Fit) with Wire Harness Splitter - Plastic Square Trim

#EZKITST4

Color Temp: Warm White 2700K

#EZKITST4-SS-BLK

*Black available in Stainless Steel

Kit includes:

- 4 Recessed Lights
- 1 Wire-Harness Splitter to connect lights to transformer (transformer sold separately)



LED Outdoor Recessed Lights KIT

4 Mini Deck Lights (Spring Fit) with Transformer & Wire Harness Splitter - Plastic Square Trim

#EZKITST-TW

Color Temp: Warmer White 2700K

#EZKITST-TW-SS-BLK

*Black available in Stainless Steel

Kit includes:

- 4 Recessed Lights
- 1 Transformer - 36 Watts (non-dimmable)
- 1 Wire-Harness Splitter to connect lights to transformer



LED Outdoor Recessed Lights KIT

8 Mini Deck Lights with Transformer, Timer, Wires, Forstner Drill Bit - Plastic Square Trim

#EZKITST8

Color Temp: Warm White 2700K

#EZKITST8-SS-BLK

*Black available in Stainless Steel

Kit includes:

- 8 Recessed Lights
- 1 Transformer - 36 Watts (non-dimmable)
- 1 Photocell Timer
- 2 Wire-Harness Splitters to connect lights to transformer
- 1 Extension Cable - 10-ft
- 1 Forstner Drill Bit



LED Outdoor Recessed Mini Deck/Patio Light (Spring Fit)

Plastic Square Trim

#EZDLS12

Color Temp: Warm White 2700K

#EZDLS12-SS-BLK

*Black available in Stainless Steel



LED Outdoor Recessed Lights KIT

4 Mini Deck Lights (Spring Fit) with Transformer, Wire Splitter - Big Round Metal Trim

#EZKITBRT-TW

Color Temp: Warmer White 2700K

Kit includes:

- 4 Recessed Light
- 1 Transformer - 36 Watts (non-dimmable)
- 1 Wire Harness Splitter to connect lights to transformer
- Width of Bezel: 2-3/4"



LED Outdoor Recessed Lights KIT

4 Mini Deck/Patio Lights (Spring Fit) with Wire Harness Splitter - Big Round Metal Trim
#EzkITBRT4

Color Temp: Warmer White 2700K

Kit includes:

- 4 Recessed Lights
- 1 Wire Harness Splitter to connect lights to transformer (transformer sold separately)
- **Width of Bezel: 2-3/4"**



LED Outdoor Recessed Lights KIT

8 Mini Deck Lights (Spring Fit) with Transformer, Timer, Wires & Cables, Forstner Bit - Big Round Trim
#EzkITBRT8

Color Temp: Warmer White 2700K

Kit includes:

- 8 Recessed Light
- 1 Transformer - 36 Watts (non-dimmable)
- 1 Photozell Timer
- 2 Wire Harnesse Splitters to connect lights to transformer
- 1 Extension Cable - 10ft
- 1 Forstner Bit Drill
- **Width of Bezel: 2-3/4"**



LED Outdoor Recessed Mini Deck/Patio Light (Spring Fit)

Big Round Metal Trim
#EZDLB12

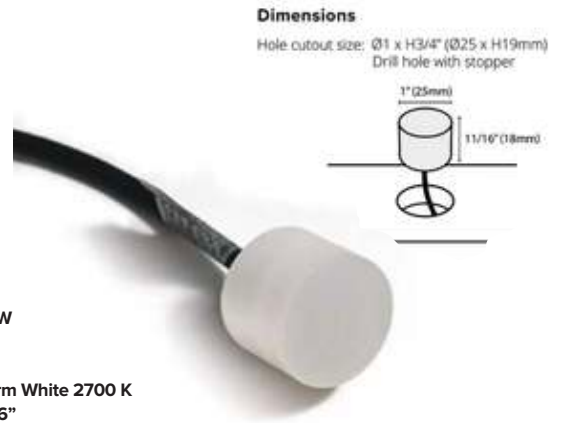
Color Temp: Warmer White 2700K
 Width of Bezel: 2-3/4"



Recessed Deck Dot Flush Light 0.5W #EZFR35

- Trimless flush mount light
- Plug and Play Wiring - ends can be clipped off to use with a HARDWIRE system
- Applications: deck, step, plinth, patio, pavers, etc.
- White PC housing
- Fully sealed for outdoor use
- > 85 CRI

Voltage:	12V AC/DC	Wattage:	0.5W
IP Rating:	67	Lumen Output:	38
Mounting Hole Diameter:	1"	Number of LEDs:	1
Pigtail Length:	12"	Colour Temp:	Warm White 2700 K
		Housing Height:	11/16"



LED Outdoor Step, Deck and Inground Light 1Watt #EZIL9-NKL

Color Temp: Warmer White 2700K

- Outdoor Lighting
- Plug and Play Wiring - ends can be clipped off to use with a HARDWIRE system
- Deck and step light
- Inground landscape light
- With waterproof connector/plug
- Dimmable (when used with a dimmable transformer)
- **Width of Bezel: 2-3/4"**

Voltage:	12V AC/DC
IP Rating:	67
Mounting Hole Diameter:	1-3/4"
Width of Bezel:	2-3/4"
Pigtail Length:	11-3/4"
Wattage:	1W
Color Temp:	Warm White 2700K
Lumen Output:	260
Number of LEDs:	1 Power



LED Outdoor Recessed Lights KIT 4 Recessed Lights 1Watt with Wire Harness Splitter

#EZIL9KIT-NKL
 Color Temp: Warmer White 2700K

Kit includes:

- 4 Inground Lights
- 1 Wire Harness Splitter to connect lights to transformer (transformer sold separately)

- Outdoor Lighting
- Plug and Play Wiring - ends can be clipped off to use with a HARDWIRE system
- Deck and step light
- Inground landscape light
- With waterproof connector/plug
- Dimmable (when used with a dimmable transformer)
- **Width of Bezel: 2-3/4"**

Voltage:	12V AC/DC
IP Rating:	67
Mounting Hole Diameter:	1-3/4"
Width of Bezel:	2-3/4"
Pigtail Length:	11-3/4"
Wattage:	1W
Color Temp:	Warm White 2700K
Lumen Output:	260
Number of LEDs:	1 Power

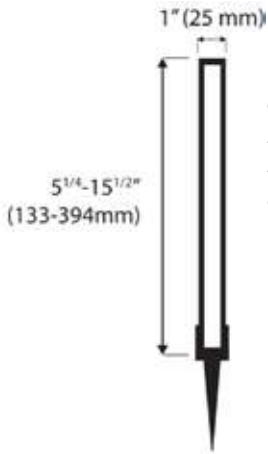


SPOT & PATH LIGHTS

Outdoor LED L-Shaped Path Light including Stake – 3W - #EZL3

- Stake Included
- Outdoor Lighting
- Applications: Path, Garden and Landscape
- Simple to install
- Low power consumption
- Waterproof
- Plug and Play Wiring (can be used with a hardwire system simply by clipping off the connector)
- Dimmable (when used with a dimmable transformer)

Voltage: 12V AC/DC **Wattage:** 3W
Pigtail Length: 59" **Color Temp:** 3000K Warm White
IP Rating: 67 **Housing:** Stainless Steel
Dimensions: 16" tall **Housing Color:** Powder Coated Black



Garden Path Light 6W - #EZPL32

This is a high quality modern fixture that is meant to light up your pathway, walkway, and garden. The housing is made of high grade stainless steel. It includes a stainless steel stake for sturdy application into the ground.

- Stainless Steel Housing
- Stainless Steel Stake Included
- Outdoor Lighting Applications: Path, Garden, Landscape and more
- Low power consumption
- Waterproof
- Plug and Play Wiring (can be used with a hardwire system simply by clipping off the connector)

Voltage: 12V AC/DC **Wattage:** 6W
Pigtail Length: 59" **Color Temp:** 2700K Warm White
IP Rating: IP65 **Housing Color:** Powder Coated Black
Dimensions: 15" tall



Outdoor LED Garden Spotlight/Uplight including Stake – 6W - #EZUL6

- Outdoor Lighting
- Applications: Architectural, Landscape, Accent, Signage
- Innovative solid state COB LED technology
- Replaces halogen
- Simple to install
- Low power consumption
- HARDWIRE Wiring
- Non-Dimmable

Voltage: 12V AC/DC **Wattage:** 6W
Pigtail Length: 36" **Color Temp:** 3000K Warm White
IP Rating: 67 **Raw Lumen Output:** 480
Dimensions: 3.54 x 2.36" **Beam Degree:** 45°



Outdoor LED Flood Light Wall Wash 30W - #EZFL20

- Outdoor Lighting
- Applications: Wall Washer, Garden & Entertainment Lighting
- Simple to install
- Low power consumption
- Waterproof
- Plug and Play Wiring (can be used with a hardwire system simply by clipping off the connector)
- Non-Dimmable
- +50,000 hour lifespan
- 120° Beam
- Size: 7" x 5.5" x 3.5"

Voltage: 12V DC **Wattage:** 30W
Pigtail Length: 45" **Color Temp:** 3000K Warm White
IP Rating: 67 **Housing:** Stainless Steel
Number of LEDs: 1 COB **Housing Color:** Powder Coated Black



Outdoor LED Mini Brass Flood Light with Stake – 2.5W - #EZMFL

- Outdoor Lighting
- Applications: Architectural, Landscape, Accent, Signage
- Replaces halogen
- Simple to install
- Low power consumption
- HARDWIRE Wiring
- Stake Included

Voltage: 12V AC/DC **Color Temp:** Warm White 3000K
Pigtail Length: 33" **Socket:** G4
IP Rating: 67 **Bulb:** Bi-pin LED already installed in fixture
Dimensions: 3.75 x 2" **Wattage:** 2.5W

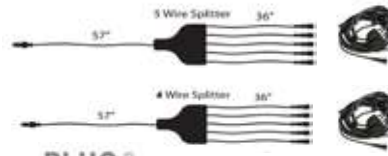


WIRE SPLICER - HARDWIRE TO PLUG AND PLAY (2-PACK)
#EZWS1

- One wire with a female connector to be connected to our plug and play lights and a hardwire end to be connected to a hardwire transformer.
- One wire with a male connector to be connected to our plug and play transformer and a hardwire end to be used with hardwire lights.



PLUG & PLAY



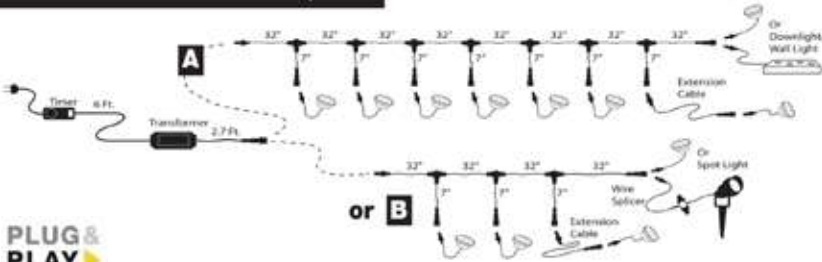
PLUG & PLAY

SPLITTER 4-WAY WIRE HARNESS
#EZWS4

SPLITTER 5-WAY WIRE HARNESS
#EZWS5

Harness splitter for use with our transformers. All cables are direct-buried cables. This splitter provides 4 outputs from 1 single input.

8 and 4 Outwire HARNESS System



PLUG & PLAY

DAISY CHAIN WIRE SPLITTER 4 OUTPUTS
#EZOWS4

Outdoor wire harness system with 1 male connector and 4 female connectors for use with our lights and transformers. Total length: 3.3 meters. All cables are direct-buried cables. This splitter provides 4 outputs from 1 single input and allows you to run your wires in many directions.

*Transformer sold separately



DAISY CHAIN WIRE SPLITTER 8 OUTPUTS
#EZOWS8

Outdoor wire harness system with 1 male connector and 8 female connectors for use with our lights and transformers. Total length: 6.6 meters. All cables are direct-buried cables. This splitter provides 8 outputs from 1 single input and allows you to run your wires in many directions.

*Transformer sold separately

DAISY CHAIN WIRE SPLITTER 9 OUTPUTS
#EZOWS9

Outdoor wire harness system with 1 male connector and 9 female connectors for use with our lights and transformers. Total length: 6.6 meters. All cables are direct-buried cables. This splitter provides 9 outputs from 1 single input and allows you to run your wires in many directions.

*Transformer sold separately



PLUG & PLAY

Extension Cable - 5ft
#EZC5

5 foot extension cable

Extension Cable - 10ft
#EZC10

10 foot extension cable

Extension Cable - 20ft
#EZC20

20 foot extension cable.

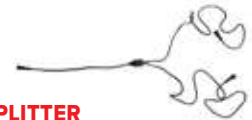
Extension Cable - 40ft
#EZC40

40 foot extension cable

Extension Cable - 60ft
#EZC60

60 foot extension cable

PLUG & PLAY



Y-SHAPE WIRE SPLITTER
#EZYOWS

EZYOWS – Y-shaped wire splitter. One male connector with 2 female connectors. Wire with male connector is 12" in length. Both wires with female connectors measure 36" each – Price: \$8.95



FORSTNER DRILL BIT 1-1/4"
#EZFB1

1-1/4" Forstner Drill Bit to drill the perfect hole for your recessed lights.

LIMITED WARRANTY

All LEDeze products come with a warranty. Our warranty applies against all defects in workmanship, assembly and materials used in the products. We'll repair or replace, at our sole discretion, any product that fails to operate due to a defect within the following time frames: 3 years for lights and 2 years for transformers.

The warranty does not cover:

- Items which have become damaged due to mishandling, improper installation or use, or resulting from extreme acts of nature.
- Product finish which has faded, rusted, or pitted due to environmental factors.
- Service, installation, or other third party fees incurred due to the defect.



16 Gauge Low Voltage Wire - 100 ft Spool
#EZWG16

16 gauge low voltage wire for all your lighting needs.



WATERPROOF WIRE END CAPS 4 PACK
#EZEC04

use with our connectors. The wire cap allows you to seal unused outlets and protect them from water damage.

TRANSFORMERS + LED CONTROLLERS

36-WATT OUTDOOR DRIVER PLUG + PLAY



LED EZE

EZD36

Constant voltage LED Power Supply to be used for low voltage outdoor LED Light Systems. • Class 2 listed • cULus listed

• 3 prong plug

Input: 100-240V AC • Output: 12V DC

Input cord 1.8M • Wattage: 36W



60-WATT OUTDOOR DRIVER PLUG + PLAY



LED EZE

EZD60

Constant voltage LED Power Supply to be used for low voltage outdoor LED Light Systems. • Class 2 listed • cULus listed • 3 prong plug

Input: 100-240V AC Output: 12V DC Input cord: 1.8M Wattage: 60W

MAGNETIC TRANSFORMER – HARDWIRE

LED EZE

EZMT60

with Photocell Timer 60W

HARDWIRE

MAGNETIC TRANSFORMER – HARDWIRE

LED EZE

EZMT100

with Photocell Timer 100W

HARDWIRE



WOOD'S PHOTOCELL TIMER -



LED EZE

EZPT1

24-hour outdoor lighting timer by Wood's, used to automate landscape, security and holiday lighting. Turns on at dusk for 2, 4, 6 or 8 hours, or until dawn.

125Vac 60Hz

Tungsten: 8A/1,000W

General Purpose: 10A/1,250W

Resistive: 10A/1,250W

Electronic Ballast: 500 VA

Ballast: 120Vac 60Hz 8.3A

Cable length: 15cm



EZ 36 WATT 12V LED POWER SUPPLY

DEKOR

Indoor or outdoor use • waterproof (IP66) and impervious to the elements • our “workhorse” - suitable for most project's power needs • 3 year warranty when used with Dekor products • designed to be used with DEKOR's remote dimmer or remote switch, or both • 2.5 amp • UL, CSUL, CE, RoHS, ETL.



EZMAX 60 WATT 12V LED POWER SUPPLY

DEKOR

Indoor or outdoor use • waterproof (IP66) and impervious to the elements • offers more power for larger projects or substantial wire runs • 3 year warranty when used with Dekor products • designed to be used with DEKOR's remote dimmer or remote switch

• 5 amp • UL, CSUL, CE, RoHS, ETL.

TRANSFORMERS + LED CONTROLLERS



EZMAXC 100 WATT 12V LED TRANSFORMER



contractor-grade waterproof LED transformer, LED power driver • for indoor or outdoor hard wire applications • simple installation • designed to be used with DEKOR's remote dimer or remote switch, or both • 8.3 amp • 3 year warranty when used with Dekor products • CE, RoHS



EZDIMMER WATERPROOF LED DIMMER & REMOTE



waterproof housing and input/output connectors for outdoor use • adjust light intensity from base unit or using remote • full control of light intensity • 70 foot range with remote control • teachable base unit in case of remote loss • higher input current can be used with any DEKOR transformer • on/off switch at base + at remote • UL, CSUL, CE, RoHS • 1 year warranty

ALL TRANSFORMERS FEATURE PLUG & PLAY CONNECTIONS

LIGHTING ACCESSORIES



EZ ENCLOSURE

housing for transformers, timers, etc. • keep electrical components dry and clean up your installation • designed for outdoor use • watertight design



OUTDOOR GEL-FILLED WIRE NUTS

UL approved

• packaged in quantities of 10



CUSTOM FORSTNER BIT

This bit is custom ground to the specific diameter of .900/23mm to allow a snug fit for our balusters, end caps, recessed lights, DEK dots and petite directional lights.

LEDeze LIMITED WARRANTY

All LEDeze products come with a warranty. Our warranty applies against all defects in workmanship, assembly and materials used in the products. We'll repair or replace, at our sole discretion, any product that fails to operate due to a defect within the following time frames: 3 years for lights and 2 years for transformers.

The warranty does not cover:

- Items which have become damaged due to mishandling, improper installation or use, or resulting from extreme acts of nature.
- Product finish which has faded, rusted, or pitted due to environmental factors.
- Service, installation, or other third party fees incurred due to the defect.

DEKOR WARRANTY POLICY

Using a Dekor LED transformer allows us to provide you with our industry leading warranty on our LED lights. DEKOR lights are designed to be used with DEKOR LED transformers and when another transformer is used in its place, this voids the LED warranty in its entirety.



THE 'BIG MAX' LED RETAINING WALL LIGHT



antique metal black



oil rubbed bronze



The only curved LED retaining wall light on the market capable of projecting a high output 120 degree swath of light at an unparalleled energy efficient performance of 1.9 watts per unit. This means you use fewer fixtures and consume less power.

As with all our outdoor lighting, these units are completely waterproof and housed in sturdily built robust die cast aluminum fixtures that are corrosion-resistant and come with a 30-year powder-coating warranty. The LEDs are protected by an extremely strong polycarbonate UV stable lens guaranteed not to yellow with time or environment. The light has a 6' all-weather electrical pigtail which allows for easy installation and wire termination.

Achieve entirely different looks by pointing the light downwards for walkways or shrubbery, or straight into the air for lighting the side of a house.

Die Cast Aluminum • Polycarbonate Lens

• 1.9 watts @ 12 volt DC. • **Light output:** 250 lumens

Pigtail length: 6' • **Radiance angle light disbursement:** 120°

Light Dimensions: **Width:** 6.7" **Height:** 1.9" **Depth:** 1.0"



** please see page 27 for warranty policy*



THE 'MINI MAX' LED RETAINING WALL LIGHT

1 piece design for easy installation. Mini and powerful!

Die Cast Aluminum • Polycarbonate Lens • 1.9 watts @ 12 volt DC.

Kelvin temperature: 3200 degrees • **Pigtail length:** 6'

Light Dimensions: **Width:** 4.5" **Height:** 1.5" **Depth:** 1.0"



antique metal black



oil rubbed bronze

ALL DEKOR LIGHTS FEATURE "WARM WHITE" COLOUR TEMPERATURE/SPECTRUM

** please see page 27 for warranty policy*

PUCK LIGHT



Use as a pathway light in mulch, flowerbeds, rock gardens, etc. Highlight shrubs and light small trees from the ground up. Waterproof design allows for direct placement on ground surface. Made of powder-coated cast aluminum.

Light Dimensions: 2.9" diameter x 1" H • **Power efficiency:** 1.32 watts

Lumen output: 560 lumens • **Kelvin temperature:** 3200°

Life expectancy: > 60,000 hours • **IP rating:** 66

Regulatory compliance: ETL (US and Canada), RoHS • powder coating finish

BIGMAXBLOCKLIGHTKIT (xx) - 3 x Big Max LED lights, 36 watt transformer, Photocell timer, 6 waterproof Gel Nuts

BIGMAXBLOCKLIGHT (xx) - Big Max Retaining wall LED Light

BIGMAXBLOCKLIGHTKIT60 (xx) - 3 x Big Max LED lights, 60 watt transformer, Photocell timer, 6 waterproof Gel Nuts



RECESSED LED PAVER / DEK DOTS

“LIGHT THE NIGHT” - Introducing PAVER DOTS & DEK DOTS, the smallest, brightest and easiest LED paver light to install you will ever come across.

Waterproof and totally submersible, PAVER DOTS are suitable for ponds, docks, stairs, steps, driveways, walkways, and more. Use in fountains, around hot tubs and water features or as marine lights.

PAVER DOTS & DEK DOTS differ from other LED recessed in that they have transparent polycarbonate covers that are nearly indestructible. They install totally flush with the surface, making them virtually unseen – and “unfelt” underfoot.

PAVER DOT SPECS

Housing diameter: 1”
Housing height: 5/8”
Mounting hole diameter: 1”
Draws: 1.2 watts
Housing material: Polycarbonate
Length of wire pigtail: 5’

1” Masonry drill bit required for installation of paver dots in stone tiles

DEK DOT SPECS

Housing diameter: 0.91”
Housing height: 5/8”
Mounting hole diameter: 0.9”
Draws: 1.2 watts
Housing material: Polycarbonate
Length of wire pigtail: 6’

24 watt (indoor) transformer powers up to 18 dots
36 watt transformer powers up to 28 dots
60 watt transformer powers up to 48 dots



AVAILABLE IN 8 PACK KITS OR 4 PACK (LIGHTS ONLY)

FEATURES OF OUR INNOVATIVE LED LIGHT TECHNOLOGY

- 10 Year Warranty • 100,000 hour rated LEDs
- (34 years of 8 hours a day, year round use)
- Warm white LEDs with the ambience of incandescent lighting -- 3200 Kelvin
- Green, energy efficient • Dimmable, expandable
- Waterproof, weatherproof and salt air resistant

DEKDOTKITOUT - 8 Deck Dot LED Lights, 36 watt transformer, Photocell timer, 2 x 6 port splitters, connector cables 23mm Forstner drill bit (7/8 Diameter, for Wood Composite wood, etc)

DEKDOT4 - 4 x LED Dots with plug and play splitter

PAVERDOTKITOUT - 8 Paver Dot LED Lights, 36 watt transformer, Photocell timer, 2 x 6 port splitters, connector cables, 1” masonry drill bit not included (1” Diameter for Pavers)

PAVERDOT4 - 4 x 1” Paver Dots with plug and play splitter

RECESSED DOWN + STAIR LIGHTS

Small yet powerful low-voltage LED lights offer function and style. Perfect for landscape lighting, decks, docks, steps, patios, and gardens. Embed them in concrete walkways or steps, or to safely light stairs and under rails. Compact enough to fit just about anywhere. 40% brighter than ever and featuring an LED technology designed to last for decades.

SPECS

Width of bezel: 1-1/4”
Mounting hole diameter: 0.900”
Mounting hole depth: 1”
Length of wire pigtail: 5’
Wattage: 1.2

24 watt (indoor) transformer powers up to 18 lights
36 watt transformer powers up to 28 lights
60 watt transformer powers up to 48 lights



- No bulbs to change ever • Cool to the touch
- Adds safety and security to your home
- Easy to install, virtually flush with surface, hardly visible
- Available in **PLUG ‘N PLAY** format

8 PACKS INCLUDE:

- Plug N Play 5’ cables
- 6 port plug n play splitters
- 20’ transformer to splitter connector



RDLKITOUT(xx) - 8 Recessed Down light LED, 7/8 diameter, 36 watt transformer, Photocell timer, 2 x 6 port splitters, connector cables, Forstner Drill Bit

RDL4(xx) - 4 x Recessed Down Lights LED with plug and play splitter

RSLKITOUT(xx) - 8 x Recessed Stair Light LED, 7/8 diameter, 36 watt transformer, Photocell timer, 2 x 6 port splitters, connector cables, Forstner Drill Bit

RSL4(xx) - 4 x Recessed Stair Light LED with plug and play splitter

* please see page 27 for warranty policy



BRICKSTOP

PAVER EDGINGS

**HAVE BEEN SPECIFIED AND
INSTALLED IN MANY
PRESTIGIOUS LOCATIONS,
INCLUDING:**

The Korean War Memorial
Riverbanks Zoo, Columbia, SC
Wyeth-Ayerst Pharmaceuticals

City of Stockton, CA

University of Toronto

The Aquarium of Bermuda

University of California, Davis Campus

American General Insurance

Stanford University

Paramount Canada's Wonderland

Gillette Stadium, Foxboro, MA

HQ: Make a Wish Foundation of N. TX

Top-of-the-World-Way, Greenbrook, NJ

The Official Residence of the archbishop of
the Czech Republic

Essex County 911 Memorial, Eagle Rock
Reservation, NJ

...and thousands more.

WWW.BRICKSTOPEDGE.COM