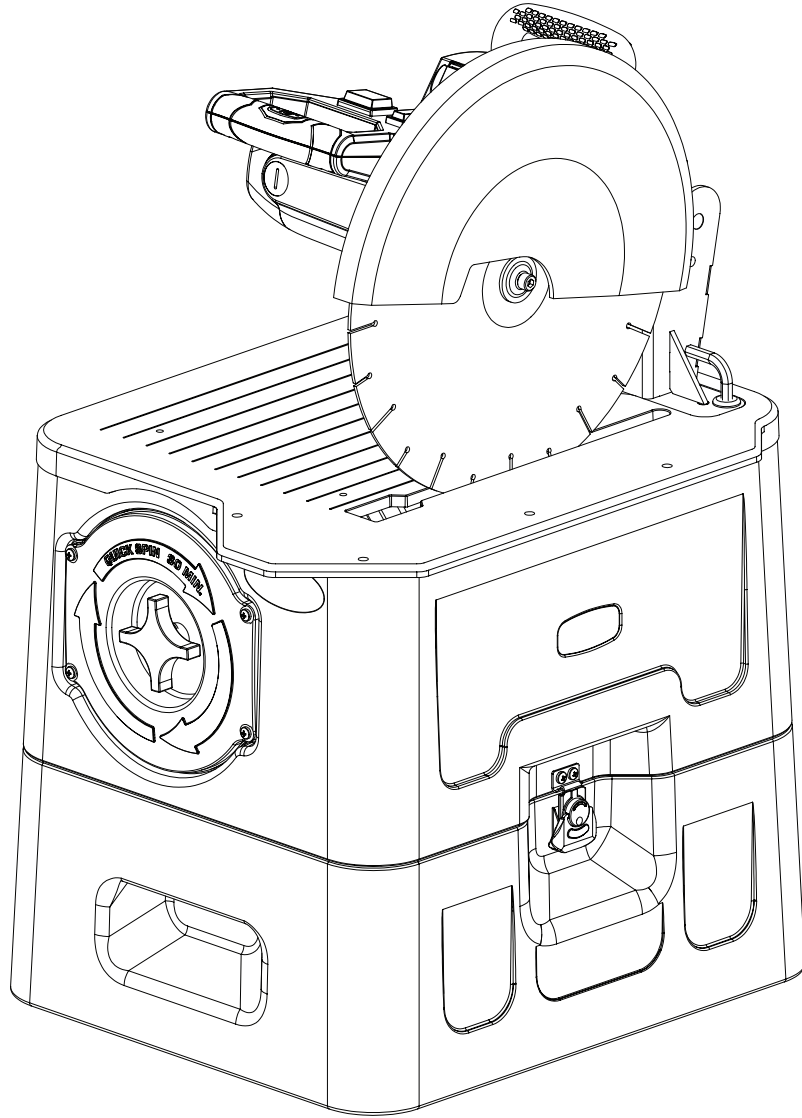




POWER TOOLS™



iQ360[®] XT US

Operator's Manual

Please read the operator's manual carefully and make sure you understand the instructions before using the machine.



TABLE OF CONTENTS

Topic	Section
Introduction	1
Design And Features	1.1
iQ360XT	1.1
General Safety	2.1
Personal Protective Equipment	2.1
General Safety Precautions	2.2
Work Area Safety	2.2
Machine Use And Care	2.2
Electrical Requirements	2.3
Symbols On The Machine	3
Explanation Of Warning Levels	3.1
Safety Messages	3.1
Unpacking, Transport, & Assembling	4
Setup, Adjustments, & Operation	5
Blade Installation	5.1
Maintenance	6
Cleaning and Repairs	6.1
Replacing the Filter	6.1
Replacing The Carbon Brushes	6.2
Blades	7
Troubleshooting	8
Technical Data	9
Warranty Policy	10

INTRODUCTION

Dear Customer

We at IQ Power Tools™ want to congratulate you on selecting the iQ360XT® Dust Control Chop Saw. We are certain that you will be pleased with your purchase. iQ Power Tools takes pride in manufacturing the most innovative tools and equipment in the industry.

If operated correctly, your iQ360XT® should provide you with years of quality service. This operator's manual contains information you need to operate and maintain your iQ360XT® safely and correctly. Please take a few minutes to familiarize yourself with your new iQ360XT® by reading and reviewing this manual.

If you should have any questions concerning your iQ360XT® please feel free to contact us at
Phone: (888) 274-7744
Email: customer.service@iqpowertools.com

It is our wish that you will be satisfied with your product and that it will prove to be a valued tool for a long time. A purchase of one of our products gives you access to professional help with repairs and services. If the retailer who sells your machine is not one of our authorised dealers, ask him for the address of your nearest service workshop.

This operator's manual is a valuable document. Make sure it is always available at the work place. By following its content (using, service, maintenance etc.) the life span and the second-hand value of the machine can be extended. If you ever lend or sell this machine, make sure that the borrower or buyer gets the operator's manual, so they will also know how to properly maintain and use it.

Owner Responsibility

It is the owner's/employer's responsibility to ensure that the operator has sufficient knowledge about how to use the machine safely. Supervisors and operators must have read and understood the Operator's Manual. They must be aware of:

- The machine's safety instructions.
- The machine's range of applications and limitations.
- How the machine is to be used and maintained.

Local regulations could restrict the use of this machine. Find out what regulations are applicable where you work before you start using the machine.

The Manufacturer's Reservation

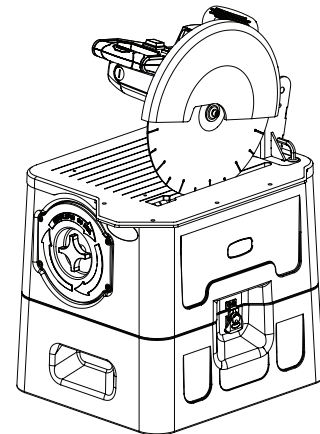
Subsequent to publishing this manual, IQ Power Tools may issue additional information for safe operation of this product. It is the owner's obligation to keep up with the safest methods of operation.

iQ Power Tools has a policy of continuous product development and therefore reserves the right to modify the design and appearance of products without prior notice.

For customer information and assistance, contact us at our website: www.iQPowerTools.com

Design & Features

Values such as high performance, reliability, innovative technology, and environmental considerations distinguish iQ Power Tools' products. Safe operation of this product requires the operator to read this manual carefully. Ask your dealer or iQ Power Tools should you need more information.



iQ360XT

DESIGNED WITH AN INTEGRATED VACUUM SYSTEM, FILTER SYSTEM AND DUST CONTAINMENT

This innovative, patented design combines the features of a professional masonry saw with a powerful vacuum system that cuts cleanly and efficiently with no water and no dust.

COMPACT AND MOBILE DESIGN

Compact size makes for easy transport.

CUT CAPACITY

4.5" X 12"

GENERAL SAFETY

General

Do not use the machine unless you are able to call for help in the event of an accident. Always have a first aid kit nearby.

⚠ WARNING! POWER TOOLS AND CUTTING MACHINES HAVE THE POTENTIAL TO CREATE SPARKS. ALWAYS KEEP FIRE EXTINGUISHERS HANDY.

PERSONAL PROTECTIVE EQUIPMENT

You must use approved personal protective equipment whenever you use the machine. Personal protective equipment cannot eliminate the risk of injury but it will reduce the degree of injury if an accident does happen. Ask your dealer for help in choosing the right equipment.

⚠ WARNING! THE USE OF PRODUCTS SUCH AS CUTTERS, GRINDERS, DRILLS, THAT SAND OR FORM MATERIAL CAN GENERATE DUST AND VAPORS WHICH MAY CONTAIN HAZARDOUS CHEMICALS. CHECK THE NATURE OF THE MATERIAL YOU INTEND TO PROCESS AND USE AN APPROPRIATE BREATHING MASK.

⚠ CAUTION! LONG TERM EXPOSURE TO NOISE CAN RESULT IN PERMANENT HEARING IMPAIRMENT. SO ALWAYS USE APPROVED HEARING PROTECTION.

Listen out for warning signals or shouts when you are wearing hearing protection. Always remove your hearing protection as soon as the motor stops.

⚠ WARNING! THERE IS ALWAYS A RISK OF CRUSH INJURIES WHEN WORKING WITH PRODUCTS CONTAINING MOVING PARTS. WEAR PROTECTIVE GLOVES TO AVOID BODY INJURIES.

Always wear:

- Hearing protection
- Approved eye protection
 - If you use a face shield then you must also wear approved protective goggles. Approved protective goggles must comply with standard ANSI Z87.1 in the USA or EN 166 in EU countries. Visors must comply with standard EN 1731.
- Breathing mask
- Protective gloves
- Hair covering or devices to contain long hair i.e.: Hair Ties For Guys

Generally, clothes should be close-fitting without restricting your freedom of movement. Be careful as clothing, long hair, and jewelry can get caught in moving parts.

GENERAL SAFETY PRECAUTIONS

This section describes basic safety directions for using the machine. This information is never a substitute for professional skills and experience.

- Please read the operator's manual carefully and make sure you understand the instructions before using the machine. Save all warnings and instructions for future reference.
- Keep in mind that the operator is responsible for accidents or hazards occurring to other people or their property.
- All operators shall be trained in the use of the machine.

The owner is responsible for ensuring that the operators receive training.

- The machine must be kept clean. Signs and stickers must be fully legible.

⚠ WARNING! THE MACHINE CAN BE A DANGEROUS TOOL IF USED INCORRECTLY OR CARELESSLY, WHICH CAN CAUSE SERIOUS OR FATAL INJURY TO THE OPERATOR OR OTHERS.

- Never allow children or other persons not trained in the use of the machine to use or service it.
- Never allow anyone else to use the machine without first ensuring that they have read and understood the contents of the operator's manual.
- Never use the machine if you are fatigued, while under the influence of alcohol or drugs, medication or anything that could affect your vision, alertness, coordination or judgement.

⚠ WARNING! UNAUTHORIZED MODIFICATIONS AND/OR ACCESSORIES MAY LEAD TO SERIOUS INJURY OR DEATH TO THE USER OR OTHERS.

Do not modify this product or use it if it appears to have been modified by others.

Never use a machine that is faulty. Carry out the safety checks, maintenance and service instructions described in this manual. Some maintenance and service measures must be carried out by trained and qualified specialists. See instructions under the heading Maintenance. Always use genuine accessories. Contact your dealer for more information.

GENERAL SAFETY

WORK AREA SAFETY

- Keep work area clean and well lit. Cluttered or dark areas invite accidents.
- People and animals can distract you causing you to lose control of the machine. For this reason, always remain concentrated and focused on the task.
- Do not use the machine in bad weather, such as dense fog, heavy rain, strong wind, intense cold, etc.
- Never start to work with the machine before the working area is clear and you have a stable work surface.

PERSONAL SAFETY

Never use the machine if you are fatigued, while under the influence of alcohol or drugs, medication or anything that could affect your vision, alertness, coordination or judgement.

- Check that no tools or other objects have been left lying on the machine.
- Never allow anyone else to use the machine without proper training.
- Always shut off the machine during longer work breaks.
- Never work alone, always ensure there is another person close at hand.
- Learn how to use the machine and its controls safely and learn to how to stop quickly. Also learn to recognize the safety decals.
- Keep handles dry, clean and free from oil and grease.
- Do not overreach. Keep proper footing and balance at all times.
- Never stand on the machine.

Stand upright. Keep distance between your face and the cutting blade. Place both hands on the work piece as far away from the cutting blade as possible. If plunge function is used, place one hand on the cutting handle.

MACHINE USE AND CARE

- This machine is designed and intended for cutting brick, block and stone. All other use is improper.
- Experience is very important when running the machine. A skilled worker is highly recommended.
- The machine is intended for use in industrial applications by experienced operators.
- Check that the machine is assembled correctly and does not show any signs of damage.
- Always perform daily maintenance before starting the machine. See instructions in the section “Maintenance”.
- Do not overload the machine. Overloading can damage the machine.
- The blade shall be intended for the material to be cut.
- If you are uncertain of what blade to use, contact your local service dealer.
- Keep tools sharp and clean in order to enable safer work.
- Keep all parts in good working order and ensure that all fixtures are properly tightened. Replace all worn or damaged decals.
- Never leave the machine unsupervised with the motor running.
- Feed the work piece against the rotation of the blade only!
- Observe care when lifting. You are handling heavy parts, which imply the risk of pinch injuries or other injuries.

ALWAYS THINK ABOUT YOUR WORK ENVIRONMENT AND USE COMMON SENSE.

It is not possible to cover every conceivable situation you can face. Always exercise care and use your common sense. If you get into a situation where you feel unsafe, stop and seek expert advice. Contact your dealer, service agent or an experienced user. Do not attempt any task or operation that makes you feel unsure whether or not it is safe.

SAFETY

ELECTRICAL SAFETY

WARNING! There is always a risk of shocks from electrically powered machines. Avoid unfavourable weather conditions and body contact with lightning conductors and metal objects. Always follow the instructions in the Operator's manual to avoid damage.

⚠ WARNING! WHEN CLEANING THE MACHINE MAKE SURE TO AVOID WATER ENTERING THE ELECTRICAL SYSTEM AND THE MOTOR UNIT. WATER CAN CAUSE DAMAGE TO THE MACHINE OR SHORT CIRCUIT.

- Never connect the machine to a outlet if plug or cord is damaged.
- Check that the mains voltage corresponds with that stated on the rating plate on the machine.
- Inspection and/or maintenance should be carried out with the motor switched off and the plug disconnected.
- Always shut down the machine before disconnecting the power plug.
- Never drag the machine by means of the cord and never pull out the plug by pulling the cord. Hold the plug to disconnect the power cord.
- Never use the machine if any cable or plug is damaged, but hand it in to an authorized service workshop for repair.
- Never use the machine if any cable or plug is damaged, but hand it in to an authorized service workshop for repair.
- Prevent unintentional starting of the motor. Ensure the power switch is in the **OFF**-position before connecting the machine to a power source.

Do not modify the plug. If it will not fit the outlet have a proper outlet installed by a qualified electrician. Make sure local regulations and ordinances are followed.

⚠ WARNING! IMPROPER CONNECTION CAN RESULT IN THE RISK OF ELECTRIC SHOCK. CONTACT A QUALIFIED ELECTRICIAN IF IN DOUBT AS TO WHETHER THE APPLIANCE IS PROPERLY GROUNDED.

EXTENSION CORDS AND CABLES

The marking on the extension cable must be the same or higher than the value stated on the machine's rating plate.

- When operating a power tool outdoors, use an extension cord suitable for outdoor use. Use of a cord suitable for outdoor use reduces the risk of electric shock.
- Keep the connection to the extension cord dry and off the ground.
- Keep cable away from heat, oil, sharp edges or moving parts. Damaged or entangled cable increase the risk of electric shock.
- Check that the cord and extension cord are intact and in good condition. Never use the machine if any cable or plug is damaged. Take it into an authorized service workshop for repair.
- To avoid overheating, do not use the extension cord while it is rolled up.
- When using an extension cable, use only certified extension cables with sufficient reach.

RECOMMENDED CABLE DIMENSIONS

25FT	50FT	100FT	150FT
AWG	AWG	AWG	AWG
12	10	NOT RECOMMENDED	NOT RECOMMENDED
VOLTS 120v	VOLTS 120v	VOLTS 120v	VOLTS 120v

⚠ NOTICE! GOOD MOTOR PERFORMANCE DEPENDS ON PROPER VOLTAGE. EXTENSION CABLES THAT ARE TOO LONG AND/OR WHICH HAVE A GAGE THAT IS TOO SMALL, REDUCE POWER TO THE MOTOR UNDER LOAD, RESULTING IN REDUCED OUTPUT OR MALFUNCTIONS.

SYMBOLS & SAFETY MESSAGES

Symbols on the machine

WARNING! The machine can be a dangerous tool if used incorrectly or carelessly, which can cause serious or fatal injury to the operator or others.



Please read the operator's manual carefully and make sure you understand the instructions before using the machine or performing any maintenance.



Always wear:

- Breathing mask
- Hearing protection & protective goggles or a visor



Warning! High voltage. Risk of an electric shock. Do not expose to rain or water.

Explanation of Warning Levels

Read and follow ALL safety, operating and maintenance instructions. Failure to read and follow these instructions could result in damage and/or reduced equipment life. The messages below are to inform the user about potential hazards that could lead to injury, death and/or equipment damage. Each safety message will be preceded by one of the following (3) three words that identify the severity of the message.

⚠ DANGER

Not following instructions WILL lead to DEATH or SERIOUS INJURY.

⚠ WARNING

Not following instructions COULD lead to DEATH or SERIOUS INJURY.

⚠ CAUTION

Not following instructions CAN lead to injury.

DAMAGE PREVENTION AND INFORMATION:

A Damage Prevention Message is to inform the user of important information and/or instructions that could lead to equipment or other property damage if not followed. Information Messages convey information that pertains to the equipment being used. Each message will be preceded by the work NOTE, as in the example below.

NOTE: Equipment and/or property damage may result if these instructions are not followed.

GENERAL SAFETY PRECAUTIONS & HAZARD SYMBOLS:

In order to prevent injury, the following safety precautions and symbols should be followed at all times!

TURN OFF POWER SWITCH

Before plugging into power source.

UNPLUG FROM POWER SOURCE

Before changing blades or doing any maintenance or adjustment to power tool.

KEEP GUARDS IN PLACE

In order to prevent injury, keep guards in place and in working order at all times.

REMOVE ADJUSTING KEYS AND WRENCHES

Form a habit of checking to see that keys and adjusting wrenches are removed from the power tool before it is turned on.

KEEP WORK AREA CLEAN

Cluttered work areas and benches invite accidents.

DO NOT USE IN DANGEROUS ENVIRONMENTS

Do not use power tools in damp or wet locations nor expose them to rain. Always keep the work area well lighted.

DO NOT FORCE THE TOOL

A power tool will do a job better and safer operating at the rate for which it was designed.

USE THE RIGHT TOOL

Do not force a tool or an attachment, to do a job that it was not designed to do.

NEVER CUT MAGNESIUM WITH THIS TOOL

SAFETY MESSAGES

USE THE PROPER EXTENSION CORD

If using an extension cord, make sure it is in good condition first. When using an extension cord, be sure to use one heavy enough to carry the current your product will draw. An undersized cord will cause a drop in line voltage that will result in a loss of power and overheating.

WEAR PROPER APPAREL

Do not wear loose clothing, gloves, neckties, rings, bracelets, or other jewelry that may be caught in moving parts. Non slip footwear is recommended. Wear protective hair covering to contain long hair.

ALWAYS USE SAFETY GLASSES

Safety glasses should always be worn when working around power tools. In addition, a face, dust mask or respirator should be worn if a cutting operation is dusty. Everyday eyeglasses only have impact resistant lenses and may not prevent eye injury -they are NOT safety glasses.

DO NOT OVERREACH

Keep proper footing and balance at all times by not overreaching. Keep your hands free to operate a power tool is safer.

CHECK FOR DAMAGED PARTS

Before using a power tool, check for damaged parts. A guard or any other part that is damaged should be carefully checked to determine it would operate properly and perform its intended function. Always check moving parts for proper alignment or binding. Check for broken parts and mountings and all other conditions that may affect the operation if the power tool. A guard, or any damaged part, should be properly repaired or replaced.

DIRECTION OF FEED

Always feed work into the blade or cutter against the direction of rotation. A blade or a cutter should always be installed such that rotation is in the direction of the arrow imprinted on the side of the blade or cutter.

NEVER LEAVE A TOOL RUNNING UNATTENDED—TURN OFF POWER

Do not leave a tool until it comes to a complete stop. Always turn a power tool OFF when leaving the work area, or, when a cut is finished.

WARNING

Sawing and drilling generates dust. Excessive airborne particles may cause irritation to the eyes, skin, and respiratory tract. To avoid breathing impairment, always employ dust controls and protection suitable to the material being sawed or drilled; See OSHA (29 CFR Part 1910.1200). Diamond Blades improperly used are dangerous. Comply with American National Standards Institute Safety Code, B7.1 and, Occupational Safety and Health Act covering Speed, Safety Guards, Flanges, Mounting procedures, General Operating Rules, Handling, Storage and General Machine Conditions.

CALIFORNIA PROPOSITION 65 MESSAGE:

WARNING

Some dust created by power sanding, sawing, grinding, drilling, and other construction activities contain chemicals known [known to the State of California] to cause cancer, birth defects or other reproductive harm. Some examples of these chemicals are:

- Lead, from lead-based paint
- Crystalline silica, from bricks and cement and other masonry products
- Arsenic and chromium, from chemically treated lumber.

For Further information consult the following sources:

<http://www.osha.gov/SLT/silicacrystalline/index.html>

http://www.oehha.org/prop65/out_of_date/6022kLstA.html

The iQ360XT® is very effective dust control saw but, your risk from these exposures varies depending on how often you do this type of work. To reduce your exposure to these chemicals, work in a well-ventilated area, and work with approved safety equipment, such as dust masks that are specially designed to filter out microscopic particles.

UNPACKING, TRANSPORT & ASSEMBLY

Unpacking

Your iQ360XT® has been shipped from the factory thoroughly inspected. Only minimal assembly is required. If not already done, remove the iQ360XT® from the carton and place saw on top of Dust Tub and fasten.



Check contents with list below.

CONTENTS:		
ITEM #	QTY	DESCRIPTION
1	1	iQ360XT
2	1	Dust Tub
3	1	Filter
4	1	Owner's Manual
5	1	Warranty Card

Transport

The iQ360XT® weighs approximately sixty-five pounds making transport easy.

⚠ CAUTION

Always observe safe lifting practices when lifting the iQ360XT®.

NOTE: Lock the Cutting Head in the DOWN position

The iQ360XT® is designed to be carried by the handles at the front & back of the saw. Simply lock (1) the spring assisted Cutting Head in position (2), grasp the lower front and rear cross members (3,4). Lift and handle the iQ360XT® to the desired location.

Setup

⚠ CAUTION

Before powering or starting, check for damage that could prevent this equipment from proper operation or performing its intended function. Check for binding and alignment of moving parts. Check for damaged, broken, or missing parts.

- Before connecting the iQ360XT® to a power supply, be sure the voltage, cycle and phase of the job site power source meet the requirements listed in Technical Data.
- If using an extension cord, make sure the length and wire gauge corresponds to the requirements listed in Technical Data. An extension power cord that is too small in wire gauge (diameter), or too long in length, will cause the motor to overheat and could cause premature failure.
- Do not cover the motor vents as this could lead to motor overheating.

SETUP, ADJUSTMENTS & OPERATION

⚠ CAUTION

PORTABLE GENERATOR:

If using a portable generator to provide power, ensure the generator meets the following requirements to operate a tool requiring 20amp. A 3500 Watt or greater generator is recommended.

PRE-START INSPECTION:

The pre-start inspection should be performed before beginning any job.

NOTE: In order to avoid breaker tripping, a 20-amp circuit breaker is highly recommended..

⚠ CAUTION

If the diamond blade shows signs of fatigue cracking, replace the blade before starting work.

- Inspect Blade for damage (1). Verify that the Blade is correct for the material being cut.
- Inspect other areas for damage, including Frame Assembly (2), Handle (3), and Cord Assembly (4).

⚠ CAUTION

If an extension cord is used, first verify it meets the requirements of TABLE 1.

⚠ CAUTION

DO NOT FORCE the blade to cut! It will do the job better and safer at the rate for which it was designed.

CHOP SAW FEATURES

- A. Lock Pin
- B. Blade
- C. Guard
- D. Blade lock lever
- E. Trigger Switch

TO CARRY:

Fold down unit to position where you can carry the saw. Push in lock pin (A) to lock arm down.

UNLOCKING:

To unlock tool and raise head, depress motor arm slightly and pull lock pin (A) out. Motor arm will then pivot upward.

STARTING MACHINE

The saw power switch starts the saw motor and vacuum motor simultaneously. To start the saw motor, press the **POWER** switch - or on symbol. Defective switches should be replaced by an authorized service workshop.

STOPPING MACHINE

To stop the saw motor, press the **POWER** switch **O** or off symbol.

FENCE OPERATION:

The Fence can be set two ways:

SETUP, ADJUSTMENTS & OPERATION

REMOVAL AND INSTALLATION OF BLADE:

1. Push in blade lock button (L) and rotate wheel (J) by hand until blade lock button engages slot in inside flange (S) to lock blade. Loosen the bolt (T) counterclockwise in the center of the blade with the 8mm hex wrench (G). Bolt has right-handed thread.
2. Remove the bolt (T), washer (U), outside flange (V).
3. Make sure flange surfaces are clean and flat. Install new blade by reversing the above steps.
4. Do not overtighten bolt.

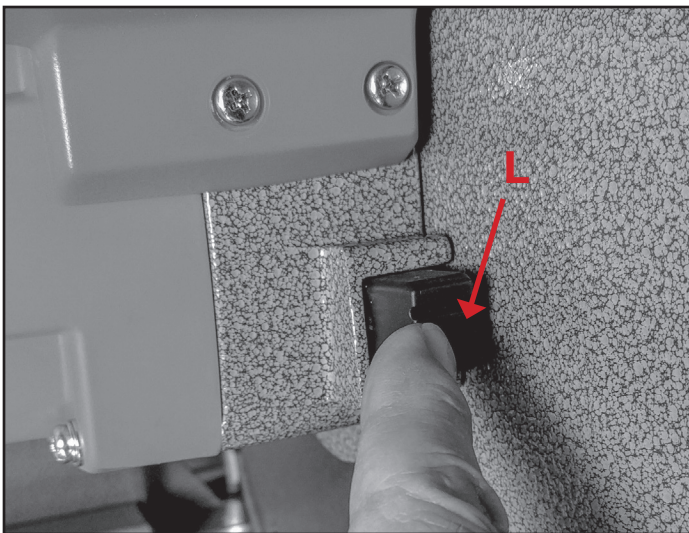
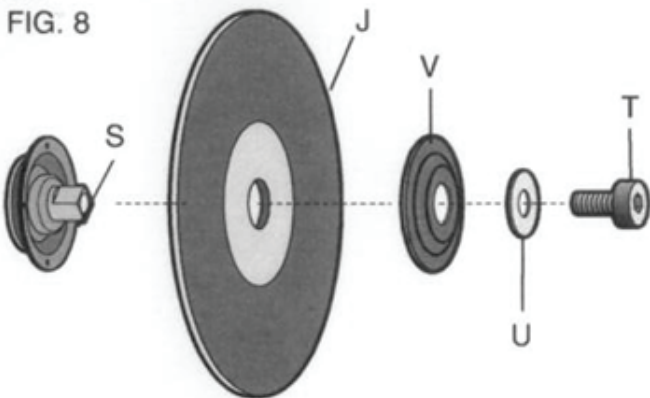


FIG. 8



CUTTING CAPACITY:

The iQ360XT® provides a cutting capacity of pieces that are 4.5" Height Maximum -12" Long Maximum.

CUTTING:

- A cut is performed by cutting completely through an object in one pass.
- Cut setup: Depress switch to start blade motor, position work piece below the blade.
- Using the Handle, lower the Cutting Head to begin cutting.
- Using the Handle, continue to lower the Cutting Head until the cut is complete.
- When the cut is complete, turn off switch. Allow the blade to stop before removing work. Using the Handle to raise the Cutting Head.

CUTTING WITH THE CUTTING HEAD LOCKED DOWN:

- Hold the cutting head down while depressing the lock pin into the lockdown hole.
- Hold work in position, depress switch to start motor.
- Push work material into the blade until the cut is complete. Allow the blade to stop moving before removing any material from cutting table.

⚠ CAUTION

DO NOT FORCE TOOL! It will do the job better and safer at the rate for which it was designed.

OPERATION TIPS FOR MORE ACCURATE CUTS:

- Allow the blade to do the cutting. Excessive force will cause the wheel to glaze reducing cutting efficiency and/or to deflect, causing inaccurate cuts.
- Make sure material is laying flat across the base.

Correct Way



Wrong Way



Never cut directly on top of material as shown above. This can result in serious injury and dust exposure.

MAINTENANCE

General

⚠ WARNING! PLEASE READ THE OPERATOR'S MANUAL CAREFULLY AND MAKE SURE YOU UNDERSTAND THE INSTRUCTIONS BEFORE USING THE MACHINE

To prevent accidental starting, the steps described in this chapter must be performed with the motor off and the power cable removed from the socket, if not otherwise stated.

Wear personal protective equipment. See instructions under the heading “Personal protective equipment”. The life span of the machine can be reduced and the risk of accidents can increase if machine maintenance is not carried out correctly and if service and/or repairs are not carried out professionally. If you need further information please contact your nearest servicing dealer.

DAILY MAINTENANCE

- Check that the machine's safety equipment is undamaged. See instructions in the section “Machine's safety equipment”.
- Clean the outside of the machine. Do not use a high pressure washer to clean the saw.
- Open the blade guard. Clean both the inside and outside, and close the blade guard.
- Use light oil, such as WD-40 or 3-in-1 when lubricating parts.
- Lubricate the Cutting Head Shaft.

CLEANING:

Blowing dust and grit out of the main housing by means of an air hose is recommended and may be done as often as dirt is seen collecting in and around the air vents. Always wear proper eye and respiratory protection.

REPAIRS:

To assure product SAFETY and RELIABILITY, repairs, maintenance and adjustment should be performed by authorized service centers or other qualified service organizations, always using identical replacement parts. NOTE: Unit may be converted to a 3-wire twist lock cord set at an authorized service center.

LUBRICATION:

Closed -type, grease-sealed ball bearings are used throughout. These bearings have sufficient lubrication packed in them at the factory to last the life of the chop saw.

CHANGE MAIN FILTER ONCE EACH YEAR

Remove Main Filter

REMOVE AND REPLACE FILTER:

- To remove & replace filter, remove filter spin knob by turning counter-clockwise while securing filter from rotation.
- Remove fasteners from front filter access plate.
- Pull filter through opening .
- Bag filter and dispose of it properly.

TO REPLACE FILTER CLEANING FLAP:

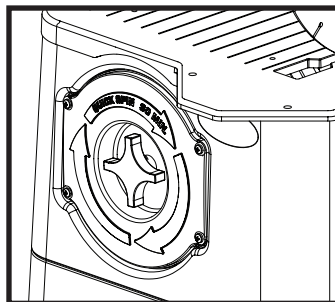
- Remove fastener at filter cleaning flap.
- Replace with new included flap.
- Adjust flap to engage filter pleats by 1/8” to 3/16” for proper cleaning function.

REPLACING FILTER UNIT:

- Insert open end of new filter into the opening housing and carefully work opening seal into filter flange by rotating filter back and forth until firmly seated.
- Replace filter access plate with fasteners with filter rotation bolt centered in hole.
- Install filter spin knob threading on clockwise.

DAILY CLEANING:

- Spin filter knob every 20-30 min of cutting to clean the filter



VACUUM MOTOR FILTER CLEANING:

- Remove and clean/reinstall every 8 hrs of operation. Make sure filter is dry before reuse.

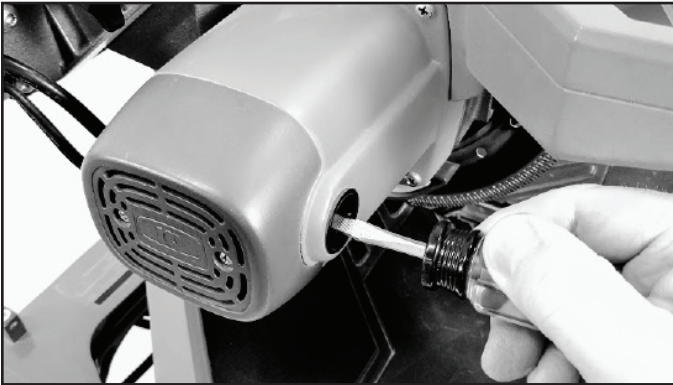


INSPECTING AND REPLACING THE CARBON BRUSHES

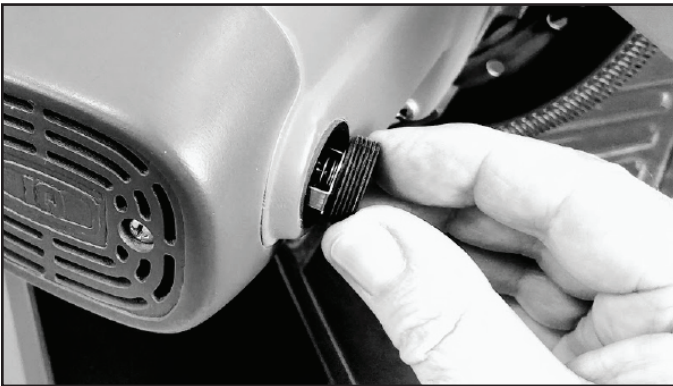
⚠ WARNING! MAKE SURE CUTTING BLADE COMES TO A COMPLETE STOP BEFORE PERFORMING ANY MAINTENANCE OR TRANSPORTING.

The carbon brushes must be removed and checked regularly. Weekly if the machine is used daily. The two carbon brushes (A) and (B) are located on the front and back side of the motor.

Untighten carbon brush retainer cap with standard screwdriver.



Remove carbon brush retainer cap.



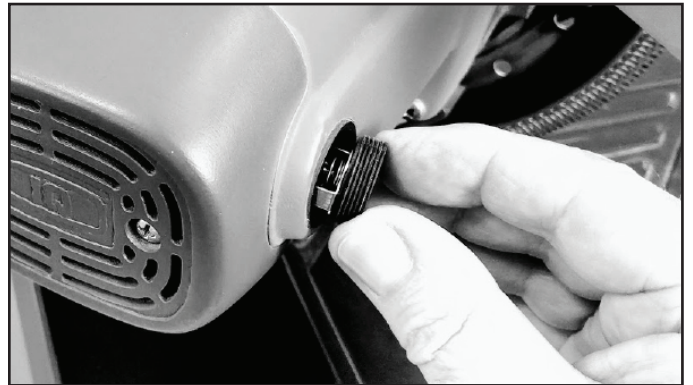
Remove carbon brush.



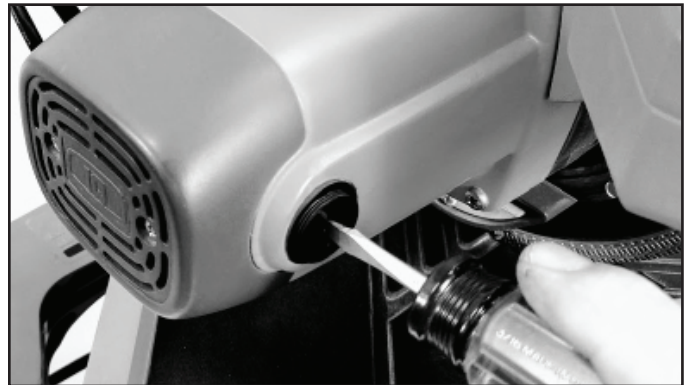
Inspect carbon brush and replaced it necessary



Install carbon brush making sure to align tabs into slots.



Tighten carbon brush retainer cap to secure.



BLADES

Blades for Different Materials

⚠ WARNING! NEVER USE A BLADE FOR ANY OTHER MATERIALS THAN THAT IT WAS INTENDED FOR. CUTTING PLASTICS WITH A DIAMOND BLADE CAN CAUSE KICKBACK WHEN THE MATERIAL MELTS DUE TO THE HEAT PRODUCED WHEN CUTTING AND STICKING TO THE BLADE. NEVER CUT PLASTIC MATERIALS WITH A DIAMOND BLADE!

Blade selection should be made according to the material being cut. Ask your local dealer for help in choosing the right product.

⚠ WARNING! BLADES CAN BREAK AND CAUSE SERIOUS INJURIES TO THE USER. DIAMOND BLADES CAN BECOME VERY HOT WHEN NOT USED PROPERLY. AN OVERHEATED BLADE MAY CAUSE DEFORMATION OF THE BLADE, RESULTING IN DAMAGE AND INJURIES.

BLADE VIBRATIONS

- The blade can become out of round and vibrate if a too high feed pressure is used.
- A lower feed pressure can stop the vibration. Otherwise replace the blade.

SHARPENING DIAMOND BLADES

- Always use a sharp diamond blade.
- Diamond blades can become dull when the wrong feeding pressure is used or when cutting certain materials such as very hard material. Working with a dull diamond blade causes overheating, which can result in the diamond segments coming loose.
- Sharpen the blade by using a dressing stone or by cutting in a soft material such as sandstone or soft brick.

TRANSPORT AND STORAGE

- Remove the blade before transportation or storage of the machine.
- Store the blade in a dry place.
- Inspect new blades for transport or storage damage.

TROUBLESHOOTING GUIDE

**BE SURE TO FOLLOW SAFETY RULES AND INSTRUCTIONS.
MANY COMMON PROBLEMS CAN BE SOLVED EASILY BY UTILIZING THE CHART BELOW.
FOR MORE SERIOUS OR PERSISTENT PROBLEMS, CONTACT IQ POWER TOOLS AT 1-(888)274-7744.**

TROUBLE! SAW WILL NOT START

WHAT'S WRONG?	WHAT TO DO
1. Saw not plugged in	1. Plug in saw
2. Fuse blown or circuit breaker tripped	2. Push switch to off and replace fuse or reset circuit breaker.
3. Cord damaged	3. Have cord replaced by authorized service center.
4. Brushes worn out	4. Have brushes replaced by authorized service center.

TROUBLE! SAW MAKES UNSATISFACTORY CUTS

WHAT'S WRONG?	WHAT TO DO
1. Dull cutting blade	1. Replace cutting blade
2. Blade not cutting	2. Use dressing stone
3. Build up on cutting wheel	3. Use dressing stone to remove build up
4. Incorrect cutting wheel for work being done	4. Change the cutting wheel

TROUBLE! CUTTING WHEEL DOES NOT COME UP TO SPEED

WHAT'S WRONG?	WHAT TO DO
1. Extension cord too small of a wire gauge or too long	1. Replace with adequate size cord
2. Arbor loose	2. Tighten arbor
3. Low house voltage	3. Contact your electric company

TROUBLE! MACHINE VIBRATES EXCESSIVELY

WHAT'S WRONG?	WHAT TO DO
1. Saw not mounted securely to stand	1. Reposition stand.
2. Stand or bench on uneven floor	2. Reposition on flat level surface
3. Damaged saw cutting wheel	3. Replace cutting wheel.

TROUBLE! LOSS OF VACUUM SUCTION

WHAT'S WRONG?	WHAT TO DO
1. Vacuum motor not running	1. Check vacuum and motor plug
2. Filter plugged	2. Spin filter cleaning knob
3. Dust tray in unlocked position	3. Lock dust tray
4. Dust tray over filled with dust	4. Empty dust tray and remove dust build up around filter

TECHNICAL DATA

SAW MOTOR IQ360XT, 115V

POWER, HP / KW	1.75 / 1.4
VOLTAGE, V	115
PHASES	1
FREQUENCY, HZ	50 / 60
BLADE SPEED, RPM	3700

VACUUM MOTOR

VOLTAGE	115
FREQUENCY, HZ	50 / 60
POWER, HP / KW	.80 / .60
CFM	92

CUTTING EQUIPMENT

BLADE SIZE - MAX, INCH/MM	14 / 355
SAW DEPTH - MAX, INCH/MM	4.5 / 114
CUTTING LENGTH - MAX, INCH/MM	12 / 300
ARBOR CONFIGURATION- INCH/MM	1 / 25

DIMENSIONS

WEIGHT (LB/KG)	65 / 29.5
SHIPPING WEIGHT (LB/KG)	70 / 31.8
SIZE (LXWXH), INCH/MM	20 X 17 X 31 / 647 X 432 X 787
SHIPPING DIMENSIONS (LX W X H), INCH/MM	25.5 X 20 X 25 / 647 X 508 X 635

ELECTRICAL

25FT	50FT	100FT	150FT
AWG	AWG	AWG	AWG
12	10	NOT RECOMMENDED	NOT RECOMMENDED
VOLTS 120v	VOLTS 120v	VOLTS 120v	VOLTS 120v

WARRANTY

The new iQ360XT® Dust Control Chop Saw sold by iQ Power Tools or an iQ authorized dealer is warranted to be free from manufacturing defects in normal service for a one year period from date of purchase by the original consumer purchaser. Warranty period for rental items is 90 days.

All iQ products must be registered either through our website or by mailing in the Warranty Card in order for the warranty to be active and valid. This Warranty shall not apply to any parts that have been subjected to misuse or improper service, damaged in transit or handling, altered or repaired by unauthorized representatives, or used with a blade that is not recommended by iQ Power Tools.

Any claim arising under this Warranty must be submitted by the original purchaser within the Warranty period specified above and must include proof of purchase. Within Warranty period, options are either to replace or repair any parts or components that are found to be defective by iQ Power Tools at no charge to the original purchaser. iQ Power Tools shall not be responsible or obligated to pay for freight or other transportation-related costs or expenses in connection with any defective products, replacements, or components that are returned to iQ Power Tools facility or any authorized repair station.

Parts and labor needed to maintain products, and the replacement of components due to normal wear and tear, are the purchaser's responsibility and are not covered by this Warranty. All products or components replaced under Warranty become the property of the manufacturer. All replacement parts will be considered to be part of the original product and any Warranty on such parts will expire concurrently with this original Warranty.

iQ Power Tools will pay for parts and labor in connection with Warranty repairs conducted by iQ Power Tools or its authorized repair center. Replacement parts installed by anyone else will be provided without a charge but this Warranty will not apply to labor charges in connection therewith.

IN NO EVENT SHALL ANY LIABILITY UNDER THIS WARRANTY EXCEED THE REPLACEMENT COST OF ANY DEFECTIVE PRODUCT OR COMPONENT THEREOF. iQ POWER TOOLS SHALL NOT BE LIABLE FOR ANY INCIDENTAL OR CONSEQUENTIAL DAMAGES OR FOR ANY OTHER DAMAGE OR LOSS NOT EXPRESSLY ASSUMED AS SET FORTH HEREIN.

The Warranty on the terms above is the only Warranty. This limited Warranty is expressly in lieu of all other Warranties, whether expressed or implied.



POWER TOOLS

888-274-7744 | WWW.IQPOWERTOOLS.COM