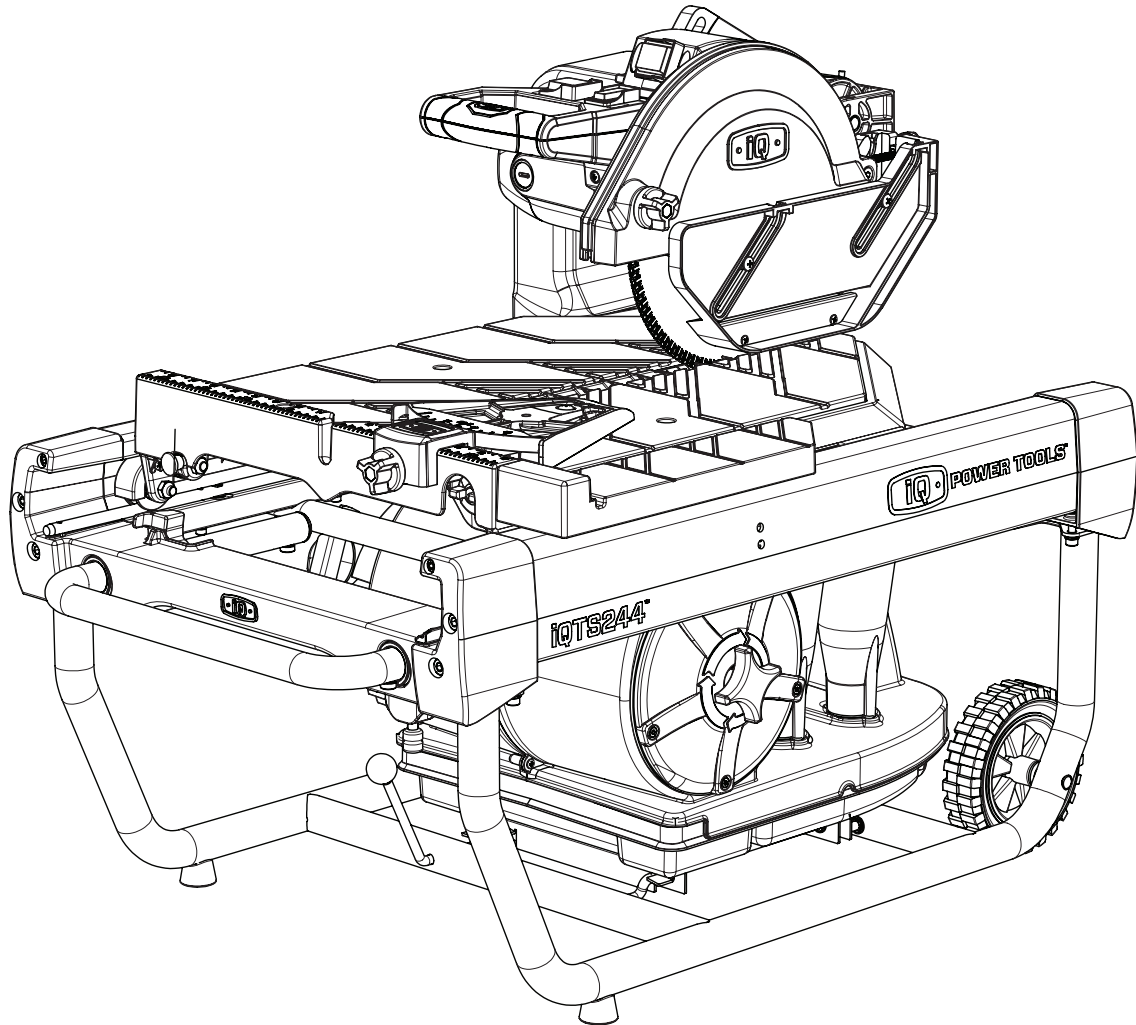




POWER TOOLS™



iQTS244

10" Tile Saw Scie à carreaux de 10" Sierra de 10"

Operator's Manual

Please read the operator's manual carefully and make sure you understand the instructions before using the machine.

Manuel de l'opérateur

Veuillez lire attentivement le manuel d'utilisation et assurez-vous de bien comprendre les instructions avant d'utiliser la machine.

Manual del operador

Lea atentamente el manual del operador y asegúrese de entender las instrucciones antes de utilizar la máquina.



TABLE OF CONTENTS

Topic	Section
Key Symbols & Safety Rules	1
Explanation Of Warning Levels	1.1
Safety Rules	1.3
Introduction	2
Design And Features	2.1
iQTS244	2.1
What Is What?	3
Machine's Safety Equipment	4
Blades	5
Blades For Different Materials	5.1
Assembling	6
Mounting The Support Arm	6.1
Connecting The Vacuum Motor Power	6.1
Assembling The Table Extension	6.2
Installing The Rolling Table	6.2
Blade Installation	6.3
Dust Guard Installation	6.4
Safety	7
Personal Protective Equipment	7.1
General Safety Precautions	7.1
Electrical Safety	7.2
Work Area Safety	7.3
Machine Use And Care	7.3
Starting And Stopping	8
Starting The Machine	8.1
Stopping The Machine	8.1
Vacuum Only	8.1
Laser Switch	8.1
Transport And Storage	8.1
Operating	9
Basic Working Techniques	9.1
General Maintenance	9.2
Daily Maintenance	9.2
Vacuum And Filter Maintenance	10
Cleaning The Filter	10.1
Changing The Filter	10.2
Replacing The Carbon Brushes	10.3
Changing The Louvers	10.4
Adjustments	11
Adjusting The Top Slot	11.1
Adjusting And Squaring The Rolling Table	11.1
Adjusting The Rolling Table Upper Roller	11.2
X-Stand	12
Troubleshooting	13
Technical Data	14
Wiring Diagram	15
Warranty Policy	16

KEY SYMBOLS & SAFETY RULES

Explanation of Warning Levels

The warnings are graded in three levels.

⚠ WARNING

Used if there is a risk of serious injury or death for the operator or damage to the surroundings if the instructions in the manual are not followed.

⚠ CAUTION

Used if there is a risk of injury to the operator or damage to the surroundings if the instructions in the manual are not followed.

⚠ NOTICE

Used if there is a risk of damage to materials or the machine if the instructions in the manual are not followed.



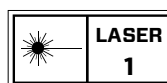
Please read the operator's manual carefully and make sure you understand the instructions before using the machine or performing any maintenance.



Always wear hearing protection



Always wear protective goggles or a visor



Laser radiation is emitted from this aperture.

Symbols on the machine



WARNING! The machine can be a dangerous tool if used incorrectly or carelessly, which can cause serious or fatal injury to the operator or others.



High voltage. Risk of an electric shock. Turn off machine and unplug before transportation.



Should not be disposed of with general household waste, but collected separately for reuse or recycling.



Keep your hands and feet away from the blade.



CSA approved.

iQTS244-CSA
10" TILE SAW
Q-DRIVE ARBOR
120V- 60Hz 15A 4000RPM

WARNING

IQPOWERTOOLS.COM • 888-274-7744
 PO Box 7449 Moreno Valley, CA
 2017 • Made in Taiwan

KEY SYMBOLS & SAFETY RULES

Other symbols/decals on the machine refer to special certification requirements for certain markets.

DUST COLLECTION VACUUM OPERATION



1. Spin filter 3 times after 500 L.F. of cutting or at the end of each day. Spin filter before emptying dust collection tray.



2. Empty dust collection tray after 500 L.F. of cutting or at the end of each day before transport.

3. Empty dust into bag or sealed container and dispose properly.

TRANSPORT INSTRUCTIONS

1. Turn machine OFF.
Unplug and secure power cord.
2. Lock cutting head in a down position.
3. Lock rolling table before transport.
4. Unlock transport handle and extend for easy transport.

⚠ AVOID EXPOSURE:

Laser radiation is emitted from this aperture.



Additional Safety Warnings



Do not expose to rain.



Never cut without using the blade guard.



Risk of injury due to accidental starting. Do not use in an area where children may be present.



Unused tile saw may cause personal injury - Remove this tile saw blade when using other accessories.



Always use manufacturer's approved cutting wheels. Replace damaged cutting wheel before operating.



Use tool only with smooth edge cutting wheels free of openings and grooves.

⚠ WARNING: PROP 65

This product can expose you to chemicals, including Cobalt, Lead and Silica Dust which are known to the State of California to cause cancer or birth defects or other reproductive harm. For more information, go to www.p65Warnings.ca.gov.

Ce produit peut vous exposer à des produits chimiques, notamment à la poussière de cobalt, de plomb et de silice, que l'État de la Californie sait qu'ils causent le cancer, des anomalies congénitales ou d'autres effets nocifs sur la reproduction. Pour plus d'informations, allez sur www.p65Warnings.ca.gov.

Este producto puede exponerlo a productos químicos, incluidos cobalto, plomo y polvo de sílice, que el estado de California sabe que causan cáncer, defectos de nacimiento u otros daños irreversibles. Para obtener más información, vaya a www.p65Warnings.ca.gov.

SAFETY RULES

Safety Rules

1. KEEP GUARDS IN PLACE and in working order.

2. REMOVE ADJUSTING KEYS AND WRENCHES. Form habit of checking to see that keys and adjusting wrenches are removed from tool before turning it on.

3. KEEP WORK AREA CLEAN. Cluttered areas and benches invite accidents.

4. DON'T USE IN DANGEROUS ENVIRONMENT. Don't use power tools in damp or wet locations, or expose them to rain. Keep work area well lighted.

5. KEEP CHILDREN AWAY. All visitors should be kept safe distance from work area.

6. MAKE WORKSHOP KID PROOF with padlocks, master switches, or by removing starter keys.

7. DON'T FORCE TOOL. It will do the job better and safer at the rate for which it was designed.

8. USE RIGHT TOOL. Don't force tool or attachment to do a job for which it was not designed.

9. USE PROPER EXTENSION CORD. Make sure your extension cord is in good condition. When using an extension cord, be sure to use one heavy enough to carry the current your product will draw. An undersized cord will cause a drop in line voltage resulting in loss of power and overheating. Table A shows the correct size to use depending on cord length and nameplate ampere rating. If in doubt, use the next heavier gage. The smaller the gage number, the heavier the cord.

10. WEAR PROPER APPAREL Do not wear loose clothing, gloves, neckties, rings, bracelets, or other jewelry which may get caught in moving parts. Non-slip footwear is recommended. Wear protective hair covering to contain long hair.

11. ALWAYS USE SAFETY GLASSES. Also use face or dust mask if cutting operation is dusty. Everyday eyeglasses only have impact resistant lenses, they are NOT safety glasses.

12. SECURE WORK. Use clamps or a vise to hold work when practical. It's safer than using your hand and it frees both hands to operate tool.

13. DON'T OVERREACH. Keep proper footing and balance at all times.

14. MAINTAIN TOOLS WITH CARE. Keep tools sharp and clean for best and safest performance. Follow instructions for lubricating and changing accessories.

15. DISCONNECT TOOLS before servicing; when changing accessories, such as blades, bits, cutters, and the like.

16. REDUCE THE RISK OF UNINTENTIONAL STARTING. Make sure switch is in off position before plugging in.

17. USE RECOMMENDED ACCESSORIES. Consult the owner's manual for recommended accessories. The use of improper accessories may cause risk of injury to persons.

18. NEVER STAND ON TOOL Serious injury could occur if the tool is tipped or if the cutting tool is unintentionally contacted.

19. CHECK DAMAGED PARTS. Before further use of the tool, a guard or other part that is damaged should be carefully checked to determine that it will operate properly and perform its intended function - check for alignment of moving parts, binding of moving parts, breakage of parts, mounting, and any other conditions that may affect its operation. A guard or other part that is damaged should be properly repaired or replaced.

20. DIRECTION OF FEED. Feed work into a blade or cutter against the direction of rotation of the blade or cutter only.

21. NEVER LEAVE TOOL RUNNING UNATTENDED **TURN POWER OFF.** Don't leave tool until it comes to a complete stop.

INTRODUCTION

Dear Customer

We at IQ Power Tools™ want to congratulate you on selecting the iQTS244™ Dust Control Tile Saw. We are certain that you will be pleased with your purchase. IQ Power Tools takes pride in manufacturing the most innovative tools and equipment in the industry.

If operated correctly, your iQTS244™ should provide you with years of quality service. This operator's manual contains information you need to operate and maintain your iQTS244™ safely and correctly. Please take a few minutes to familiarize yourself with your new iQTS244™ by reading and reviewing this manual.

If you should have any questions concerning your iQTS244™ please feel free to contact us at
Phone: (888) 274-7744
Email: customer.service@iqpowertools.com

It is our wish that you will be satisfied with your product and that it will prove to be a valued tool for a long time. A purchase of one of our products gives you access to professional help with repairs and services. If the retailer who sells your machine is not one of our authorised dealers, ask him for the address of your nearest service workshop.

This operator's manual is a valuable document. Make sure it is always at hand at the work place. By following its content (using, service, maintenance etc.) the life span and the second-hand value of the machine can be extended. If you ever lend or sell this machine, make sure that the borrower or buyer gets the operator's manual, so they will also know how to properly maintain and use it.

Owner Responsibility

It is the owner's/employer's responsibility that the operator has sufficient knowledge about how to use the machine safely. Supervisors and operators must have read and understood the Operator's Manual. They must be aware of:

- The machine's safety instructions.
- The machine's range of applications and limitations.
- How the machine is to be used and maintained.

Local regulations could restrict the use of this machine. Find out what regulations are applicable where you work before you start using the machine.

The Manufacturer's Reservation

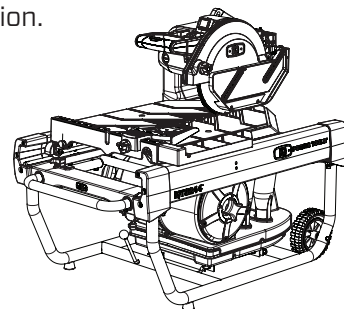
Subsequent to publishing this manual IQ Power Tools may issue additional information for safe operation of this product. It is the owner's obligation to keep up with the safest methods of operation.

iQ Power Tools has a policy of continuous product development and therefore reserves the right to modify the design and appearance of products without prior notice.

For customer information and assistance, contact us at our website: www.iQPowerTools.com

Design & Features

Values such as high performance, reliability, innovative technology, and environmental considerations distinguish iQ Power Tools' products. Safe operation of this product requires the operator to read this manual carefully. Ask your dealer or iQ Power Tools should you need more information.



iQTS244

DESIGNED WITH AN INTEGRATED VACUUM SYSTEM, FILTER SYSTEM AND DUST CONTAINMENT

This innovative patent pending design combines the features of a professional tile saw with a powerful cyclonic vacuum system that cuts cleanly and efficiently with no water and no dust.

COMPACT AND MOBILE DESIGN

With compact size and built-in wheels the integrated pull-out handle makes for easy transport.

LARGE CUT CAPACITY

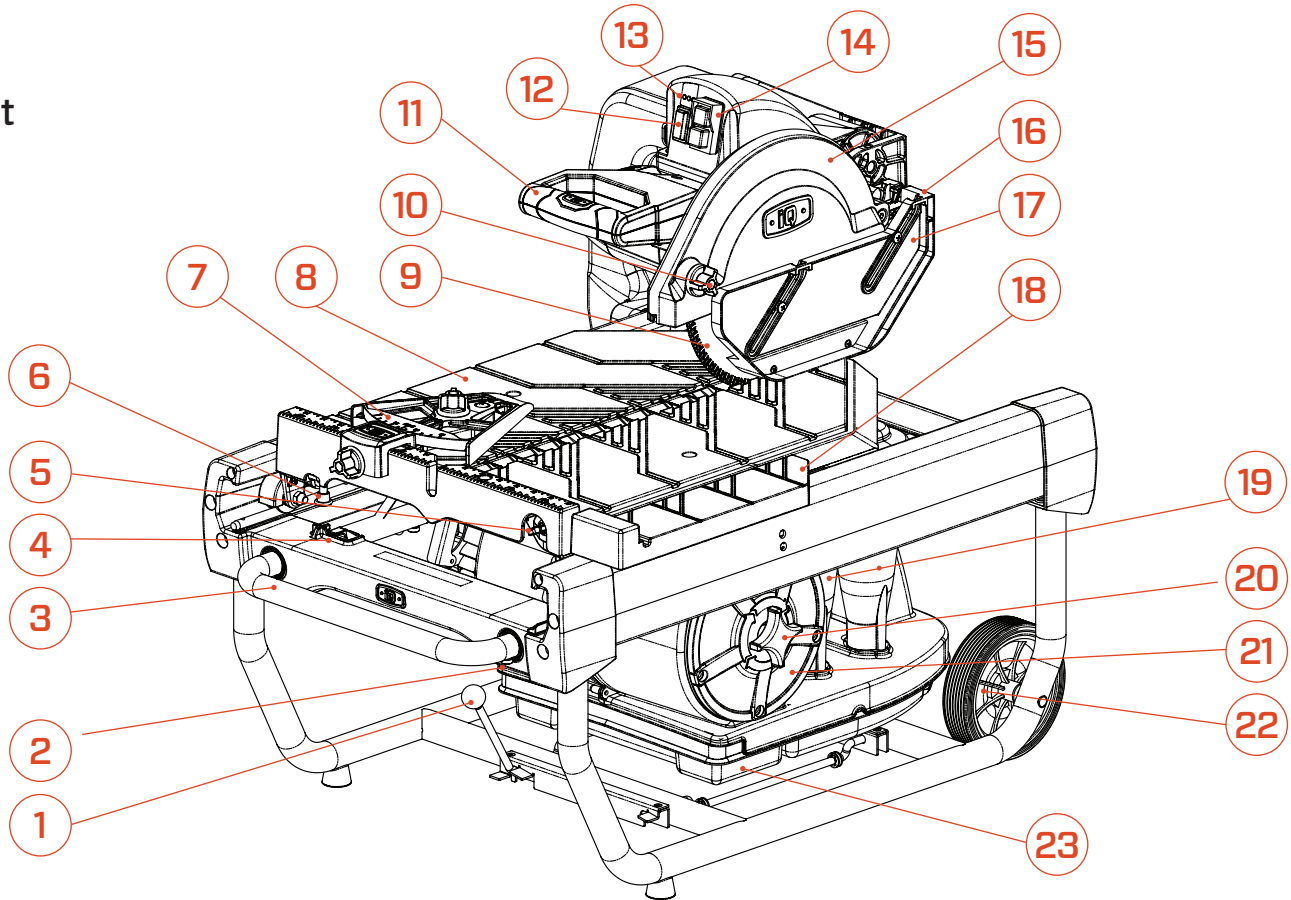
Enables cutting of 24"x24" (600mmx600mm) and 18" tile on diagonal.

FUNCTIONAL ROLLING TABLE WITH EXPANDABLE TABLE EXTENSION

The rolling table is extra long for better support when cutting. The table extension can be extended for larger tiles then collapsed in for easy transport.

WHAT IS WHAT?

Front



1 - Dust Tray Lift Lever

2 - Transport Handle Lock

3 - Transport Handle

4 - Table Remove Lever

5 - Extension Table Lock Knob

6 - Rolling Table Lock Knob

7 - Cutting Guide

8 - Rolling Table

9 - Blade

10 - Blade Guard Knob

11 - Handle

12 - Laser Switch

13 - Loading Indicator LED

14 - Power Switch

15 - Blade Guard

16 - Dust Guard Retainer Knob

17 - Dust Guard

18 - Extension Table

19 - Cyclones

20 - Filter Spin Knob

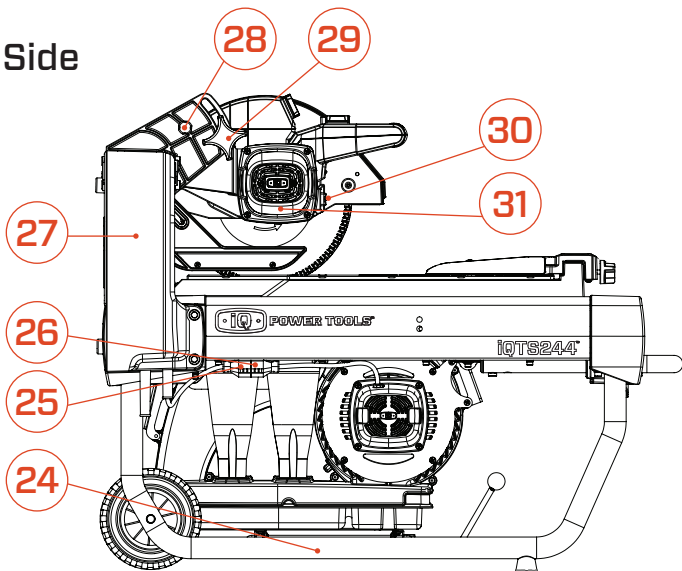
21 - Filter Cover

22 - Wheels

23 - Dust Tray

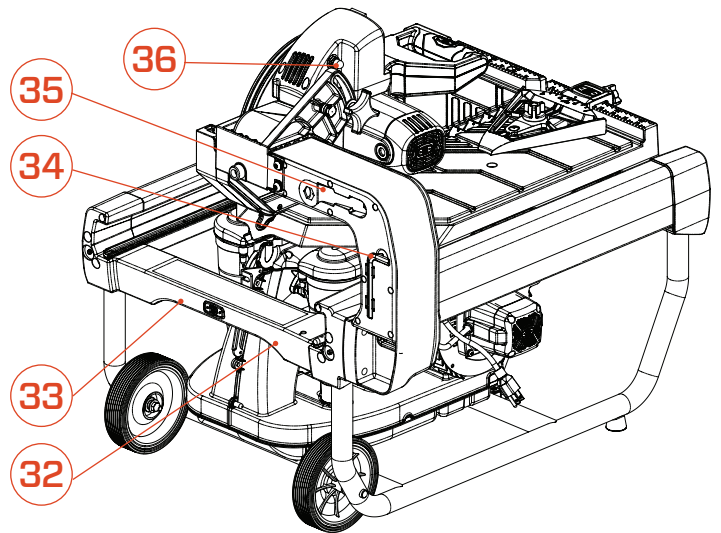
WHAT IS WHAT?

Side



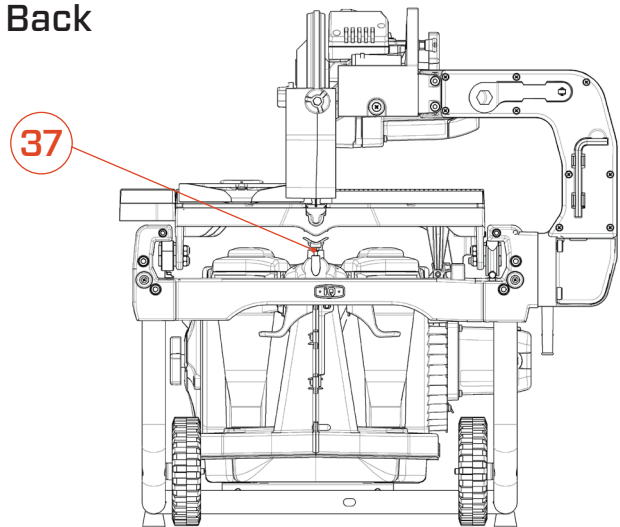
- 24 - Vacuum Motor
- 25 - Vacuum Motor Power Supply
- 26 - Vacuum Motor Power Cord
- 27 - Support Arm
- 28 - Lock Down Knob
- 29 - Depth Adjustment Knob
- 30 - Blade Shaft Lock Button
- 31 - Saw Motor

Back and Side



- 32 - Power Cord
- 33 - Power Cord Storage
- 34 - 8mm Allen Wrench
- 35 - Blade Wrench
- 36 - Overload Switch

Back



- 37 - Top Slot

MACHINE'S SAFETY EQUIPMENT

General

This section describes the machine's safety equipment, its purpose, and how checks and maintenance should be carried out to ensure that it operates correctly.

⚠ WARNING! NEVER USE A MACHINE THAT HAS FAULTY SAFETY EQUIPMENT

BLADE GUARD

⚠ WARNING! NEVER USE THE MACHINE WITHOUT A GUARD NOR WITH A DEFECTIVE GUARD. ALWAYS CHECK THAT THE GUARD IS CORRECTLY FITTED BEFORE STARTING THE MACHINE.

IT IS NOT PERMITTED TO EXPOSE THE BLADE MORE THAN 180 DEGREES WITHOUT PROTECTION.

The blade guard is designed to prevent parts of the blade or cutting fragments from being thrown towards the user.

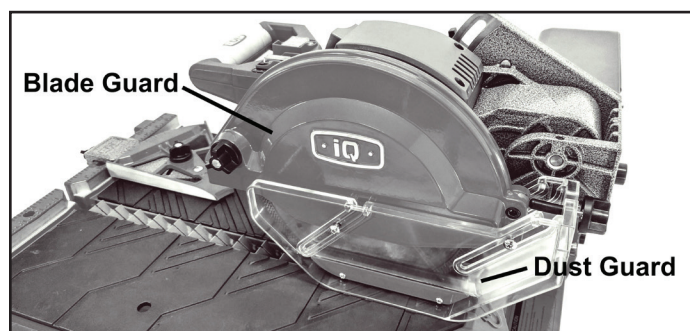
CHECKING THE BLADE GUARD

Check that the guard over the blade is not cracked or damaged in any other way. Replace when damaged.

⚠ WARNING! SHUT DOWN THE MACHINE AND DISCONNECT THE POWER PLUG.

DUST GUARD

The dust guard is designed to prevent dust being pulled up from the backside of the blade. The dust guard should be inspected periodically for damage. The dust guard should move freely sliding up and over cutting material.



SAW POWER SWITCH

The power switch - / **O** should be used to start and stop the machine.

CHECKING THE SAW POWER SWITCH

The saw power switch starts the saw motor and vacuum motor simultaneously.

To start the saw motor, flip up the orange **POWER** switch. To stop the saw motor, push down the orange **POWER** switch back to its vertical position. Defective switches should be replaced by an authorized service workshop.

LOADING INDICATOR

The Loading Indicator will start in green color on the left when powering on the saw motor, and LED light will move into the yellow or red zone depending on the loading applied on the saw motor.

OVERLOAD PROTECTOR SWITCH

Overload Protector Switch will pop up and the machine will stop to prevent overloading and damaging the machine. You may reset the machine by pressing the switch.

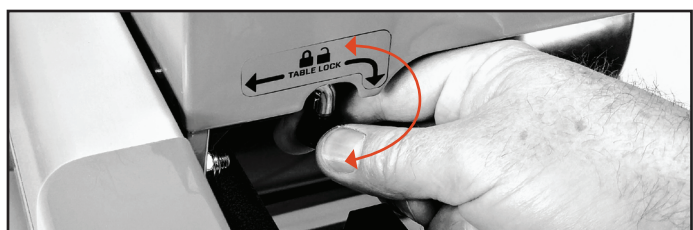


LASER SWITCH

This tile saw is equipped with a laser light guide for lining up cuts. To turn on the laser light guide press the **LASER** switch - or on symbol. To turn off the laser light guide press the **LASER** switch **O** or off symbol.

LOCKING KNOB, ROLLING TABLE

The locking knob is used to lock the rolling table in place when in transit. Be sure to lock rolling table before transit to avoid injury.



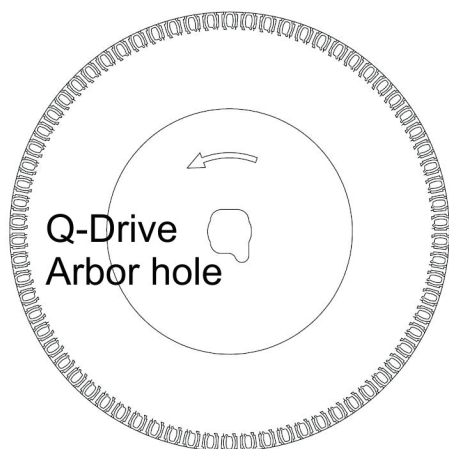
BLADES

General

⚠ WARNING! BLADES CAN BREAK AND CAUSE SERIOUS INJURIES TO THE USER. DIAMOND BLADES CAN BECOME VERY HOT WHEN NOT USED PROPERLY. AN OVERHEATED BLADE MAY CAUSE DEFORMATION OF THE BLADE, RESULTING IN DAMAGE AND INJURIES.

The iQTS244 dry cutting tile saw utilizes a specially designed diamond blade with a Q-Drive Arbor hole. The 10" Q-Drive dry cutting blade uses a proprietary composition of diamond concentration, metal type, and flange thickness to make a blade that cuts cool while reducing vibration and movement. The specially designed blade works in conjunction with the vacuum flow to keep the blade and the material cool while cutting.

The iQTS244 10" Dry Cutting blades with Q-Drive Arbor hole can be purchased from your local iQ Power Tools dealer or directly from iQ Power Tools by calling 888-274-7744 or through our website at www.iQpowertools.com

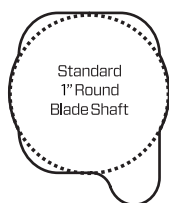


The Q-Drive Arbor hole with the included bushing also fits a standard 5/8" round blade shaft for versatility.

The Q-Drive Arbor hole shape without bushing also fits a standard 1" round blade shaft for versatility.



WITH BUSHING



WITHOUT BUSHING

Blades for Different Materials

⚠ WARNING! NEVER USE A BLADE FOR ANY OTHER MATERIALS THAN THAT IT WAS INTENDED FOR. CUTTING PLASTICS WITH A DIAMOND BLADE CAN CAUSE KICKBACK WHEN THE MATERIAL MELTS DUE TO THE HEAT PRODUCED WHEN CUTTING AND STICKING TO THE BLADE. NEVER CUT PLASTIC MATERIALS WITH A DIAMOND BLADE!

The iQTS244 dry cutting tile saw is supplied with specially designed 10" Dry Cutting Combination Blade with Q-Drive Arbor hole that is engineered to cut a variety of material such as: porcelain, marble, granite, ceramic, and stone.

A 10" Dry Cutting Hard Material Blade is also available for the iQTS244 with Q-Drive Arbor hole.

A 10" Dry Cutting Soft Material Blade is also available for the iQTS244 with Q-Drive Arbor hole.

Blade selection should be made according to the material being cut ask your local dealer for help in choosing the right product.

BLADE VIBRATIONS

- The blade can become out of round and vibrate if a too high feed pressure is used.
- A lower feed pressure can stop the vibration. Otherwise replace the blade.

SHARPENING DIAMOND BLADES

- Always use a sharp diamond blade.
- Diamond blades can become dull when the wrong feeding pressure is used or when cutting certain materials such as very hard material. Working with a dull diamond blade causes overheating, which can result in the diamond segments coming loose.
- Sharpen the blade by using a dressing stone or by cutting in a soft material such as sandstone or soft brick.

TRANSPORT AND STORAGE

- Remove the blade before transportation or storage of the machine.
- Store the blade in a dry place.
- Inspect new blades for transport or storage damage.

ASSEMBLING

UN-BOXING AND ASSEMBLING

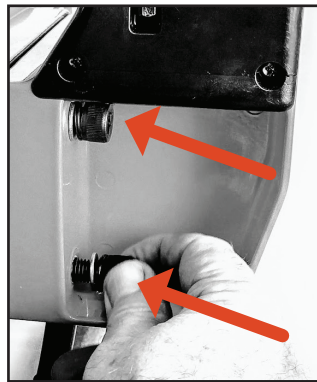
Open the top of the box. Remove top layer of foam with parts and set aside. Remove main frame assembly and place on a flat horizontal and stable surface (preferably a workbench) to prevent the equipment from tipping or sliding during assembly.

MOUNTING THE SUPPORT ARM

Remove the support arm/saw motor head from box and packaging. Install the support arm onto the left rear support arm mounting surface by lining up the pins.



Install the (4) Allen screws. Tighten all 4 screws finger tight.



Securely tighten the (4) Allen screws with supplied Allen wrench.



CONNECTING THE VACUUM MOTOR POWER

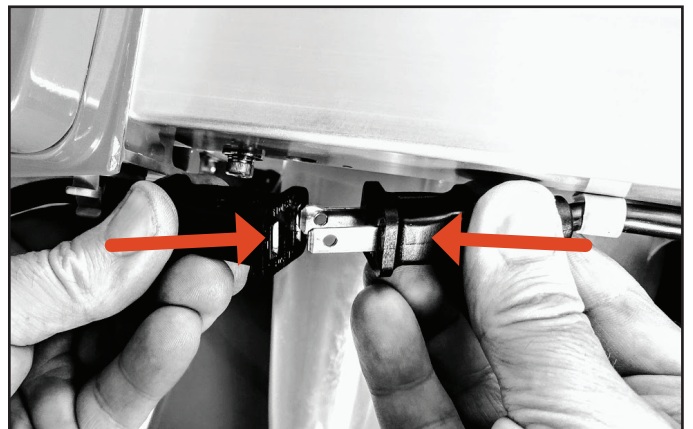
The vacuum power supply cable from the support arm needs to be routed through the cable retainer.



Snap the cable retainer closed securing the cable.



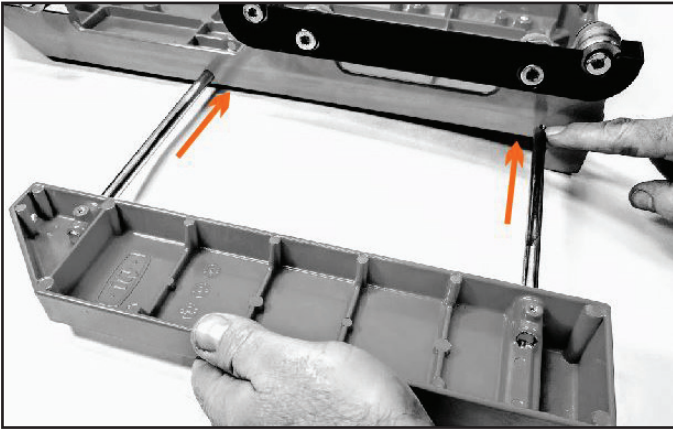
Plug the vacuum power cable into the vacuum power supply receptacle.



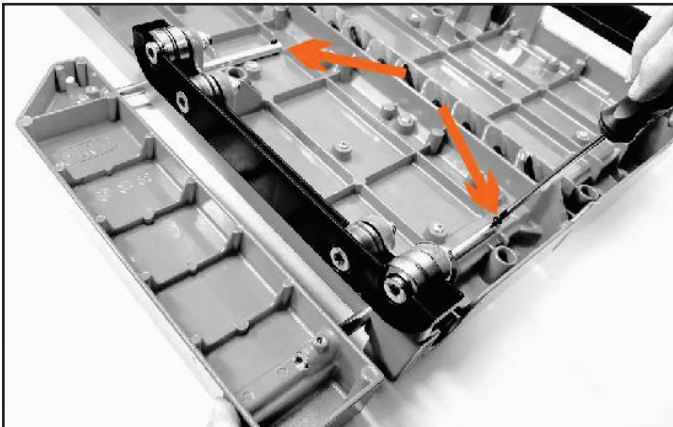
ASSEMBLING

ASSEMBLING THE TABLE EXTENSION

Remove the table extension from packaging. Insert the extension shafts into the right side of rolling table.



With a Phillips screwdriver, install screws in each end of extension shaft to secure



INSTALLING THE ROLLING TABLE

Put the remove table lock lever in the down position. This allows the rolling table to be installed or removed.

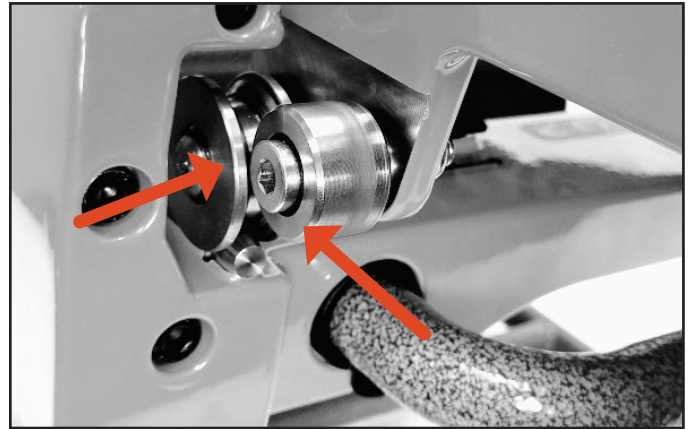


⚠ WARNING!

POSITION INADVERTENTLY THIS COULD CAUSE DAMAGE AND/OR INJURY

IF THE REMOVE TABLE LOCK LEVER IS LEFT IN THE DOWN

Holding the table in front of you, on the left side of the table line the 1st notch wheel roller with the guide rail. Push the table along the guide rail until their 2nd and 3rd notch wheel rollers are on the guide rail.



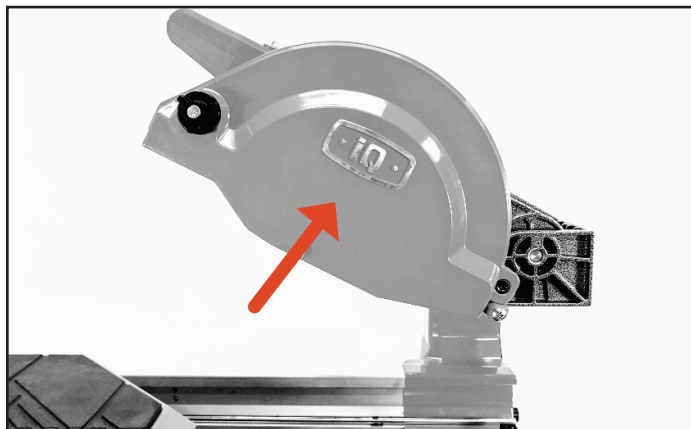
Put the remove table lock lever in the up position. The remove table lock lever should remain in the up position for normal operation. The remove table lock lever should only be put in the down position for table removal and maintenance



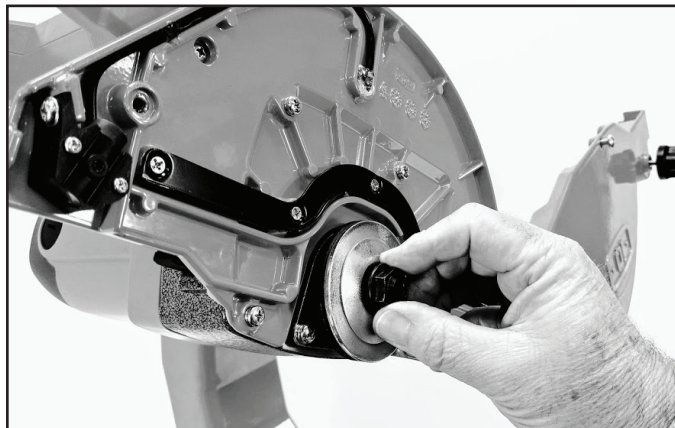
BLADE INSTALLATION

INSTALLING THE BLADE

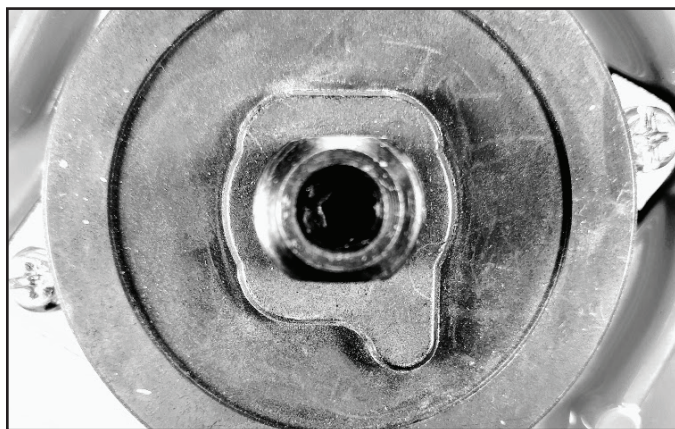
While pushing down on the cutting head handle loosen the depth adjustment knob and pull out on the lock down knob. Allow the cutting head to move to the full up position



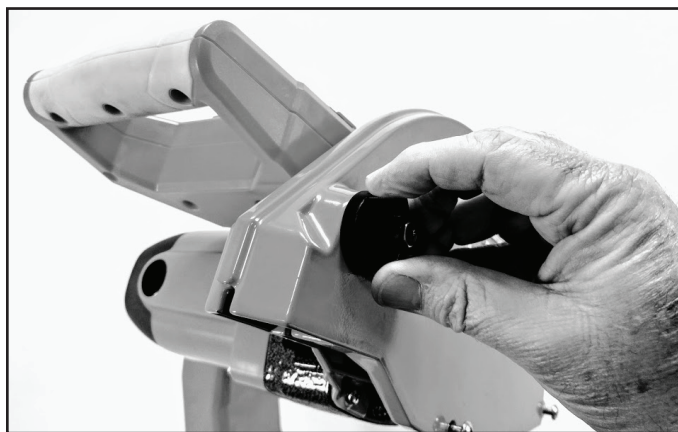
Remove the blade shaft nut and outside flange washer.



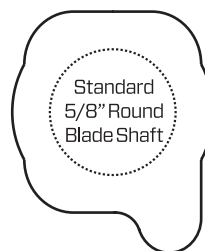
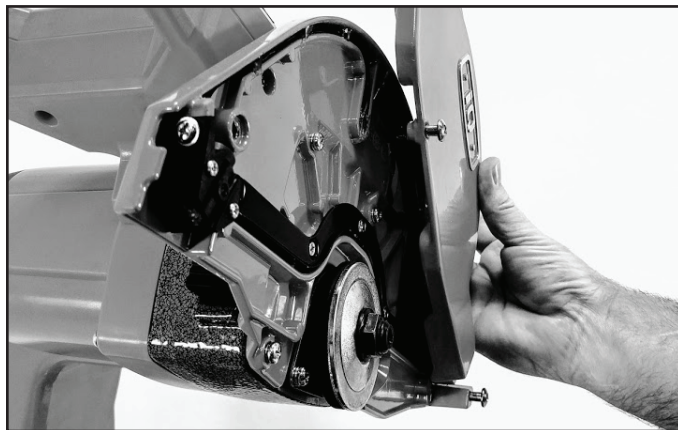
Note the Q-Drive shaped blade shaft. The IQTS244 must be used with the specially designed 10" dry cutting blade with Q-Drive Arbor hole.



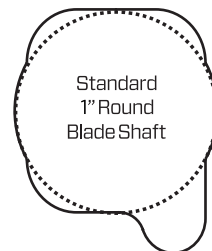
Loosen the blade guard knob.



Open outside blade guard by tilting back exposing blade shaft nut and flange washer



WITH
BUSHING

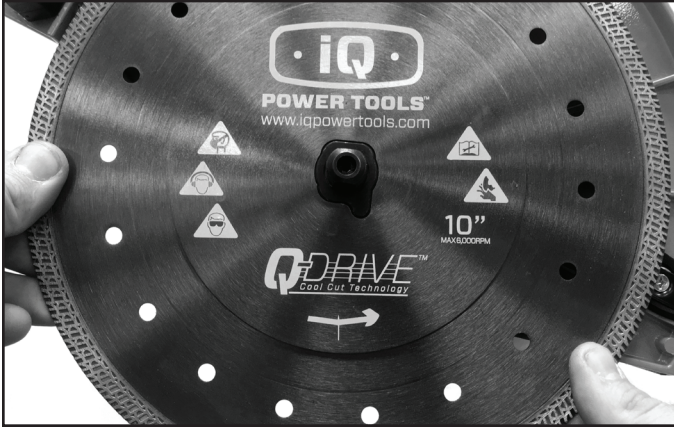


WITHOUT
BUSHING

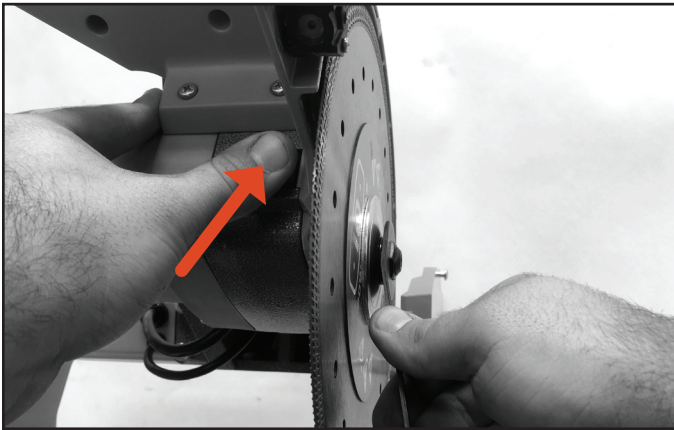
(Note: Q-Drive Arbor hole with the included bushing also fits a standard $\frac{5}{8}$ round blade shaft for versatility. Also, the Q-Drive Arbor hole shape without bushing also fits a standard 1 inch round blade shaft for versatility.)

DUST GUARD INSTALLATION

Remove blade from packaging, remove bushing if installed into Q-Drive Arbor hole. Install the blade lining up on the Q-Drive Arbor hole with the Q-Drive blade shaft.



Install the outside blade flange washer and nut. With supplied blade wrench tighten blade nut turning right or clockwise while depressing the blade shaft lock button. Tighten till secure.



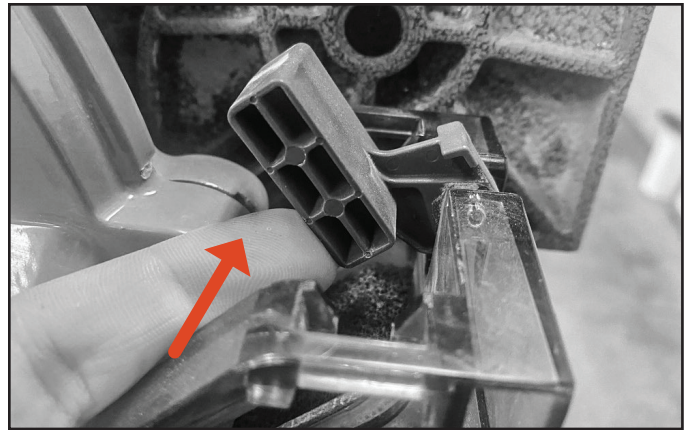
Close outside blade guard and secure by tightening guard bolt.



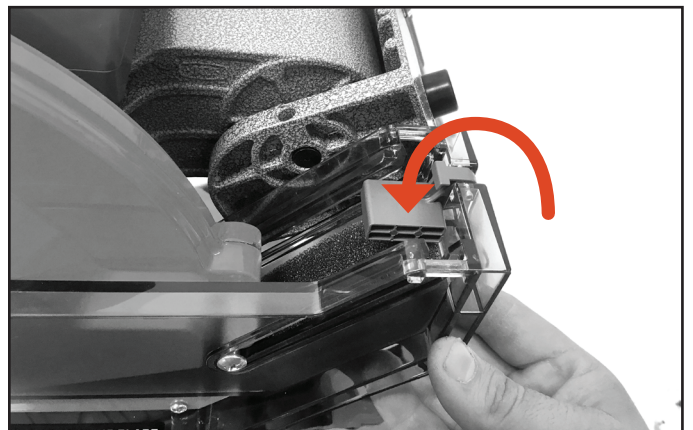
INSTALLING THE DUST GUARD

Note: Blade should be installed before installing dust guard.

While pushing down on the cutting head handle loosen the depth adjustment knob and pull out on the lock down knob. Allow the cutting head to move to the full up position. With the dust guard retainer clip fully extended line up dust guard track to shoulder screws and push-up. (Note: blade also needs to line up with a slot in dust guard)



While holding the dust guard in the up position release clip and lower dust guard.



SAFETY

General

Do not use the machine unless you are able to call for help in the event of an accident. Always have a first aid kit nearby.

⚠ WARNING! POWER TOOLS AND CUTTING MACHINES HAVE THE POTENTIAL TO CREATE SPARKS. ALWAYS KEEP FIRE EXTINGUISHERS HANDY.

PERSONAL PROTECTIVE EQUIPMENT

You must use approved personal protective equipment whenever you use the machine. Personal protective equipment cannot eliminate the risk of injury but it will reduce the degree of injury if an accident does happen. Ask your dealer for help in choosing the right equipment.

⚠ WARNING! THE USE OF PRODUCTS SUCH AS CUTTERS, GRINDERS, DRILLS, THAT SAND OR FORM MATERIAL CAN GENERATE DUST AND VAPORS WHICH MAY CONTAIN HAZARDOUS CHEMICALS. CHECK THE NATURE OF THE MATERIAL YOU INTEND TO PROCESS AND USE AN APPROPRIATE BREATHING MASK.

⚠ CAUTION! LONG TERM EXPOSURE TO NOISE CAN RESULT IN PERMANENT HEARING IMPAIRMENT. SO ALWAYS USE APPROVED HEARING PROTECTION.

Listen out for warning signals or shouts when you are wearing hearing protection. Always remove your hearing protection as soon as the motor stops.

⚠ WARNING! THERE IS ALWAYS A RISK OF CRUSH INJURIES WHEN WORKING WITH PRODUCTS CONTAINING MOVING PARTS. WEAR PROTECTIVE GLOVES TO AVOID BODY INJURIES.

Always wear:

- Hearing protection
- Approved eye protection
 - If you use a face shield then you must also wear approved protective goggles. Approved protective goggles must comply with standard ANSI Z87.1 in the USA or EN 166 in EU countries. Visors must comply with standard EN 1731.
- Breathing mask
- Protective gloves.
- Hair covering or devices to contain long hair, i.e.: Hair Ties For Guys

Generally clothes should be close-fitting without restricting your freedom of movement. Be careful as clothing, long hair, and jewellery can get caught in moving parts.

GENERAL SAFETY PRECAUTIONS

This section describes basic safety directions for using the machine. This information is never a substitute for professional skills and experience.

- Please read the operator's manual carefully and make sure you understand the instructions before using the machine. Save all warnings and instructions for future reference.
- Keep in mind that the operator is responsible for accidents or hazards occurring to other people or their property.
- All operators shall be trained in the use of the machine.

The owner is responsible for ensuring that the operators receive training.

- The machine must be kept clean. Signs and stickers must be fully legible.

⚠ WARNING! THE MACHINE CAN BE A DANGEROUS TOOL IF USED INCORRECTLY OR CARELESSLY, WHICH CAN CAUSE SERIOUS OR FATAL INJURY TO THE OPERATOR OR OTHERS.

- Never allow children or other persons not trained in the use of the machine to use or service it.
- Never allow anyone else to use the machine without first ensuring that they have read and understood the contents of the operator's manual.
- Never use the machine if you are fatigued, while under the influence of alcohol or drugs, medication or anything that could affect your vision, alertness, coordination or judgement.

⚠ WARNING! UNAUTHORIZED MODIFICATIONS AND/OR ACCESSORIES MAY LEAD TO SERIOUS INJURY OR DEATH TO THE USER OR OTHERS.

Do not modify this product or use it if it appears to have been modified by others. Never use a machine that is faulty. Carry out the safety checks, maintenance and service instructions described in this manual. Some maintenance and service measures must be carried out by trained and qualified specialists. See instructions under the heading Maintenance. Always use genuine accessories. Contact your dealer for more information.

SAFETY

ALWAYS THINK ABOUT YOUR WORK ENVIRONMENT AND USE COMMON SENSE.

It is not possible to cover every conceivable situation you can face. Always exercise care and use your common sense. If you get into a situation where you feel unsafe, stop and seek expert advice. Contact your dealer, service agent or an experienced user. Do not attempt any task or operation that makes you feel unsure whether or not it is safe.

ELECTRICAL SAFETY

WARNING! There is always a risk of shocks from electrically powered machines. Avoid unfavourable weather conditions and body contact with lightning conductors and metal objects. Always follow the instructions in the Operator's manual to avoid damage.

▲ WARNING! WHEN CLEANING THE MACHINE MAKE SURE TO AVOID WATER ENTERING THE ELECTRICAL SYSTEM AND THE MOTOR UNIT. WATER CAN CAUSE DAMAGE TO THE MACHINE OR SHORT CIRCUIT.

- Never connect the machine to a outlet if plug or cord is damaged.
- Check that the mains voltage corresponds with that stated on the rating plate on the machine.
- Inspection and/or maintenance should be carried out with the motor switched off and the plug disconnected.
- Always shut down the machine before disconnecting the power plug.
- Never drag the machine by means of the cord and never pull out the plug by pulling the cord. Hold the plug to disconnect the power cord.
- Never use the machine if any cable or plug is damaged, but hand it in to an authorized service workshop for repair.
- Never use the machine if any cable or plug is damaged, but hand it in to an authorized service workshop for repair.
- Prevent unintentional starting of the motor. Ensure the power switch is in the **OFF**-position before connecting the machine to a power source.

Do not modify the plug. If it will not fit the outlet have a proper outlet installed by a qualified electrician. Make sure local regulations and ordinances are followed.

▲ WARNING! IMPROPER CONNECTION CAN RESULT IN THE RISK OF ELECTRIC SHOCK. CONTACT A QUALIFIED ELECTRICIAN IF IN DOUBT AS TO WHETHER THE APPLIANCE IS PROPERLY GROUNDED.

EXTENSION CORDS AND CABLES

The marking on the extension cable must be the same or higher than the value stated on the machine's rating plate.

- When operating a power tool outdoors, use an extension cord suitable for outdoor use. Use of a cord suitable for outdoor use reduces the risk of electric shock.
- Keep the connection to the extension cord dry and off the ground.
- Keep cable away from heat, oil, sharp edges or moving parts. Damaged or entangled cable increase the risk of electric shock.
- Check that the cord and extension cord are intact and in good condition. Never use the machine if any cable or plug is damaged. Take it into an authorized service workshop for repair.
- To avoid overheating do not use the extension cord while it is rolled up.
- When using an extension cable, use only certified extension cables with sufficient reach.

RECOMMENDED CABLE DIMENSIONS

25FT	50FT	100FT	150FT
AWG	AWG	AWG	AWG
12	10	NOT RECOMMENDED	NOT RECOMMENDED
VOLTS 120v	VOLTS 120v	VOLTS 120v	VOLTS 120v

▲ NOTICE! GOOD MOTOR PERFORMANCE DEPENDS ON PROPER VOLTAGE. EXTENSION CABLES THAT ARE TOO LONG AND/OR WHICH HAVE A GAGE THAT IS TOO SMALL, REDUCE POWER TO THE MOTOR UNDER LOAD, RESULTING IN REDUCED OUTPUT OR MALFUNCTIONS.

SAFETY

WORK AREA SAFETY

- Keep work area clean and well lit. Cluttered or dark areas invite accidents.
- People and animals can distract you causing you to lose control of the machine. For this reason, always remain concentrated and focused on the task.
- Do not use the machine in bad weather, such as dense fog, heavy rain, strong wind, intense cold, etc.
- Never start to work with the machine before the working area is clear and you have a stable work surface.
- Secure Work - use clamps or a vise to hold work when practical. It is safer than using your hand and it frees both hands to operate tool.

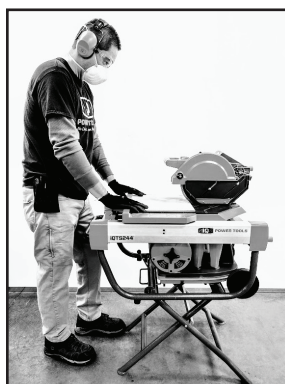
PERSONAL SAFETY

Never use the machine if you are fatigued, while under the influence of alcohol or drugs, medication or anything that could affect your vision, alertness, coordination or judgement.

- Check that no tools or other objects have been left lying on the machine.
- Never allow anyone else to use the machine without proper training.
- Always shut off the machine during longer work breaks.
- Never work alone, always ensure there is another person close at hand.
- Learn how to use the machine and its controls safely and learn to how to stop quickly. Also learn to recognize the safety decals.
- Keep handles dry, clean and free from oil and grease.
- Do not overreach. Keep proper footing and balance at all times.
- Never stand on the machine.

MACHINE USE AND CARE

- This machine is designed and intended for cutting tile and stone. All other use is improper.
- Experience is very important when running the machine. A skilled worker is highly recommended.
- The machine is intended for use in industrial applications by experienced operators.
- Check that the machine is assembled correctly and do not show any signs of damage.
- Always perform daily maintenance before starting the machine. See instructions in the section "Maintenance".
- Do not overload the machine. Overloading can damage the machine.
- The blade shall be intended for the material to be cut.
- If you are uncertain of what blade to use contact your local service dealer.
- Keep tools sharp and clean in order to enable safer work.
- Keep all parts in good working order and ensure that all fixtures are properly tightened. Replace all worn or damaged decals.
- Never leave the machine unsupervised with the motor running.
- Feed the work piece against the rotation of the blade only!
- Observe care when lifting. You are handling heavy parts, which imply the risk of pinch injuries or other injuries.



Stand upright. Keep distance between your face and the cutting blade. Place both hands on the work piece as far away from the cutting blade as possible. If plunge function is used, place one hand on the cutting handle.

STARTING AND STOPPING

Before starting

⚠ WARNING! PLEASE READ THE OPERATOR'S MANUAL CAREFULLY AND MAKE SURE YOU UNDERSTAND THE INSTRUCTIONS BEFORE USING THE MACHINE

Wear personal protective equipment. See instructions under the heading "Personal protective equipment". Make sure no unauthorised persons are in the working area, otherwise there is a risk of serious personal injury. Prevent unintentional starting of the motor. Ensure the power switch is in the OFF- position before connecting the machine to a power source.

Check that the machine is assembled correctly and do not show any signs of damage. See instructions in the section "Assembling and adjustments".

- Perform daily maintenance. See instructions in the section "Maintenance".

STARTING MACHINE

The saw power switch starts the saw motor and vacuum motor simultaneously. To start the saw motor press the **POWER** switch - or on symbol. Defective switches should be replaced by an authorized service workshop.

STOPPING MACHINE

To stop the saw motor press the **POWER** switch **O** or off symbol.

⚠ WARNING! MAKE SURE CUTTING BLADE COMES TO A COMPLETE STOP BEFORE PERFORMING ANY MAINTENANCE OR TRANSPORTING.

VACUUM ONLY SWITCH

The vacuum only switch turns the vacuum on but not the saw motor. To start the vacuum motor press the **VACUUM ONLY** switch - or on symbol. To stop the vacuum motor press the **VACUUM ONLY** switch **O** or off symbol.

LASER SWITCH

This tile saw is equipped with a laser light guide for lining up cuts. To turn on the laser light guide press the **LASER** switch - or on symbol. To turn off the laser light guide press the **LASER** switch **O** or off symbol.

⚠ AVOID EXPOSURE:

Laser radiation is emitted from this aperture.



Transport and storage

TRANSPORT INSTRUCTIONS ⚠

Make sure the table lock is secure before transporting saw. Failure to lock table may cause the table to slide off the saw and cause serious injury.

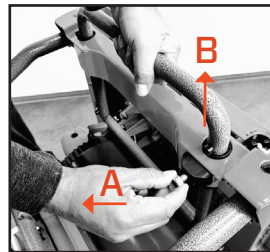
1. Turn machine OFF. Unplug and secure power cord.
2. Lock cutting head in a down position.
3. Lock rolling table to avoid injury during transport. ⚠
4. Unlock transport handle and extend for easy transport.

GENERAL

Stop the motor and disconnect the power cable before lifting or moving the machine.

- Secure the equipment during transportation in order to avoid transport damage and accidents.
- Ensure that the rolling table is locked and that the extension table is locked in its inner position.
- Store the equipment in a lockable area so that it is out of reach of children and unauthorized persons.
- For transport and storage of Blades, see the section "Blades".
- Lift the machine at the short ends.

TRANSPORTING



Raise the transport handle by pulling transport handle lock pin (A) then pulling up on transport handle (B).



Machine can now be tipped forward onto the wheels for easy transport.

⚠ WARNING!

BE SURE TO LOCK THE ROLLING TABLE AND CUTTING HEAD BEFORE MOVING OR TRANSPORTING TO AVOID EQUIPMENT DAMAGE OR PERSONAL INJURY.

OPERATING

Maintenance

GENERAL

⚠ WARNING! PLEASE READ THE OPERATOR'S MANUAL CAREFULLY AND MAKE SURE YOU UNDERSTAND THE INSTRUCTIONS BEFORE USING THE MACHINE

To prevent accidental starting, the steps described in this chapter must be performed with the motor off and the power cable removed from the socket, if not otherwise stated.

Wear personal protective equipment. See instructions under the heading "Personal protective equipment". The life span of the machine can be reduced and the risk of accidents can increase if machine maintenance is not carried out correctly and if service and/or repairs are not carried out professionally. If you need further information please contact your nearest servicing dealer.

DAILY MAINTENANCE

- Check that the machine's safety equipment is undamaged. See instructions in the section "Machine's safety equipment".
- Clean the outside of the machine. Do not use a high pressure washer to clean the saw.
- Open the blade guard. Clean both the inside and outside, and close the blade guard.

⚠ WARNING! NEVER CLEAN MOTOR AND ELECTRIC PARTS WITH WATER.

⚠ NOTICE! KEEP THE ROLLING TABLE SURFACE FREE OF TILE CHIPS AND LARGE DEBRIS.

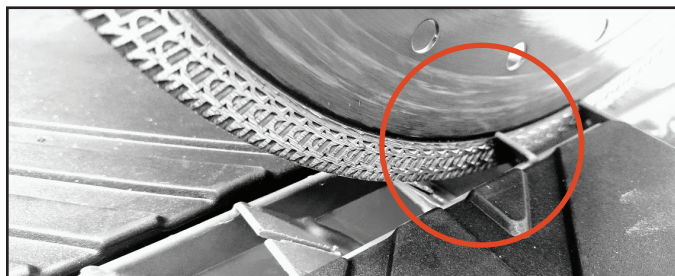
⚠ NOTICE! KEEP THE DUST COLLECTION LOUVERS AND TOP SLOT FREE OF TILE CHIPS AND LARGE DEBRIS.

⚠ CAUTION FAILURE TO KEEP THE DUST COLLECTION LOUVERS AND TOP SLOT FREE OF TILE CHIPS AND LARGE DEBRIS COULD RESULT IN THE ROLLING TABLE JAMMING AGAINST THE TOP SLOT AND CAUSING DAMAGE TO THE MACHINE.

Basic working techniques

MAKING THE FIRST CUT

While making the first cut you will notice the blade is cutting into the plastic louvers. This is normal and part of their design.



TYPICAL CUTTING OPERATION

The cutting head should be left in the lock down position for typical tile cutting.

⚠ WARNING! OPERATING THE MACHINE IN SITUATIONS WHERE DUST COLLECTION IS LIMITED FOR PROLONGED PERIODS CAN CREATE DUSTY AND POTENTIALLY HAZARDOUS WORK ENVIRONMENT FOR THE OPERATOR AND OTHER PERSONS IN THE VICINITY.

If the depth adjustment knob is used to set the depth of the cutting blade above the table surface dust collection will be limited.

MITER OR BEVEL CUTTING (optional accessory)*

Attached the miter cutting guide to the rolling table for miter or bevel cutting.

PLUNGE CUTTING

The cutting arm is spring loaded and adjustable up and down.

- Loosen the lock knob for the depth adjustment. With the handle on the cutting arm the cutting blade can adjust up and down and create a plunge cut in the work piece.

⚠ WARNING! INITIAL DUST COLLECTION WILL BE LIMITED UNTIL THE BLADE CUTS THROUGH THE TILE ENABLING DUST CAPTURE DOWN INTO THE VACUUM SYSTEM.

CUTTING LARGER FORMAT TILES

For cutting tiles or pieces in excess of 24 inches an attachable table with integrated rip cutting fence* is available. This accessory allows 48 inches length of cut.

**Accessories can be purchased from your local iQ Power Tools dealer. Call 888-274-7744 or visit www.iqpowertools.com to find a dealer near you.*

VACUUM AND FILTER MAINTENANCE

FILTER SYSTEM

Filter system of the IQTS244 is designed to function automatically with the tile saw. The vacuum motor automatically starts with the saw motor start. The system is designed to operate for the full work day or 500 lineal feet of cutting before cleaning filter or emptying dust tray.

DUST COLLECTION VACUUM OPERATION



1. Spin filter 3 times after 500 L.F. of cutting or at the end of each day. Spin filter before emptying dust collection tray.

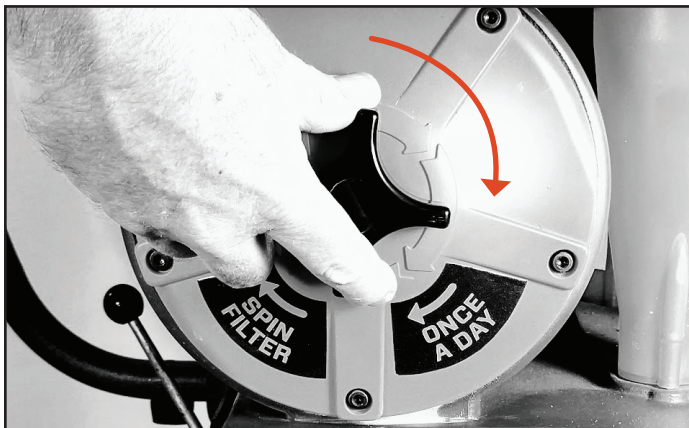


2. Empty dust collection tray after 500 L.F. of cutting or at the end of each day before transport.
3. Empty dust into bag or sealed container and dispose properly.

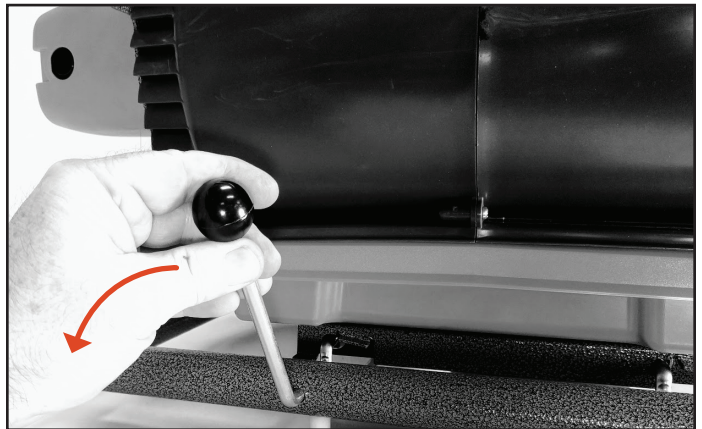
CLEANING THE FILTER AND EMPTYING DUST TRAY

Spin filter three times after 500 L.F. of cutting or at the end of each day. Spin filter before emptying dust collection tray.

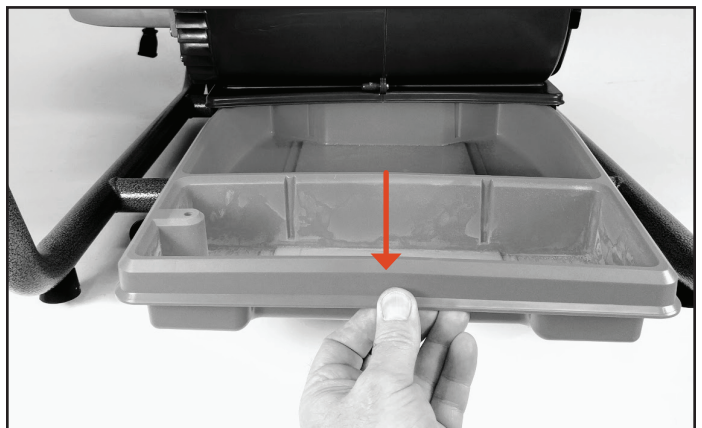
Empty dust collection tray after 500 L.F. of cutting or at the end of each day before transport.



Rotate dust tray release lever to the left.



Slide dust tray out.



Empty dust into bag or sealed container and dispose properly.

VACUUM AND FILTER MAINTENANCE

⚠ WARNING! MAKE SURE CUTTING BLADE COMES TO A COMPLETE STOP BEFORE PERFORMING ANY MAINTENANCE OR TRANSPORTING.

CHANGING THE FILTER AND FILTER CLEANING FLAP
Filter and cleaning tab should be changed once each year regardless of use.

Remove the filter spin knob.



Untighten screws and remove filter cover.

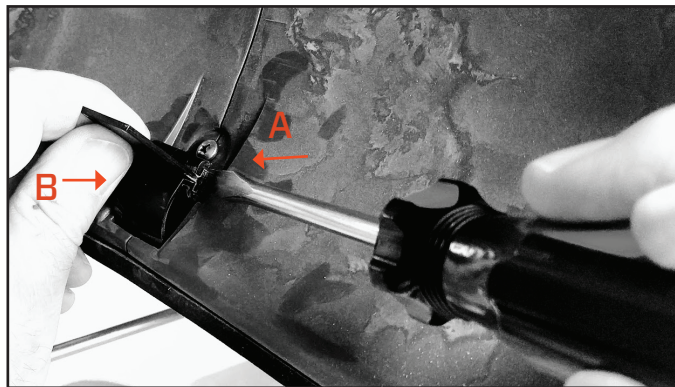


Remove filter.

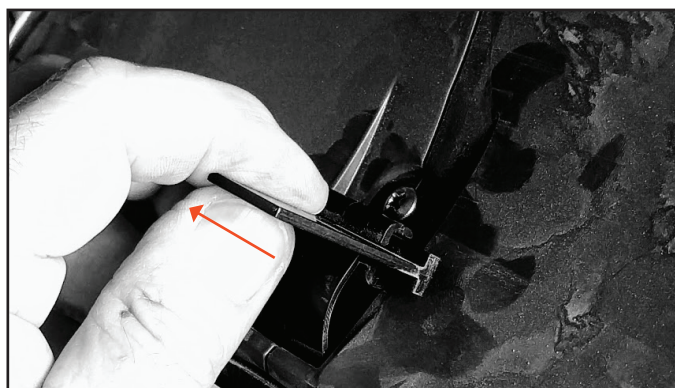


⚠ WARNING! WHILE DOING MAINTENANCE ON THIS MACHINE THERE IS A POTENTIAL EXPOSURE TO DUST WHICH MAY CONTAIN HAZARDOUS MATERIAL. PROTECT YOURSELF BY WEARING AN APPROPRIATE BREATHING MASK.

Remove and replace filter cleaning tab. While pushing down on retainer (A) slide filter cleaning tab out (B) of filter cleaning tab bracket



Slide new filter cleaning tab into filter cleaning tab bracket.



Install new filter into filter housing. Rotate filter slightly as it is inserted over filter spindle. Install filter cover and screws. Install filter spin knob.



INSPECTING AND REPLACING THE CARBON BRUSHES

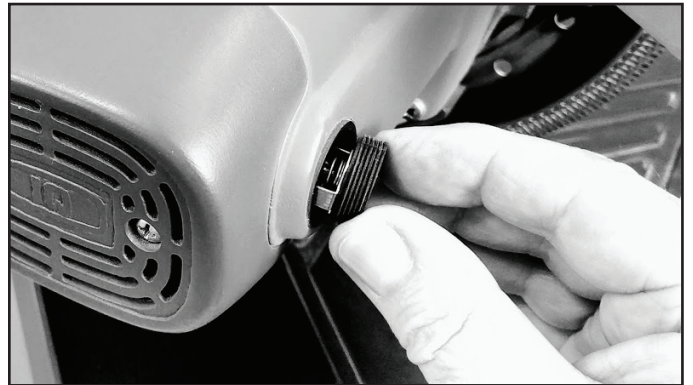
⚠ WARNING! MAKE SURE CUTTING BLADE COMES TO A COMPLETE STOP BEFORE PERFORMING ANY MAINTENANCE OR TRANSPORTING.

The carbon brushes must be removed and checked regularly. Weekly if the machine is used daily. These instructions apply to the saw motor and the vacuum motor. The two carbon brushes (A) and (B) are located on the front and back side of the motor. Untighten carbon brush retainer cap with standard screwdriver.

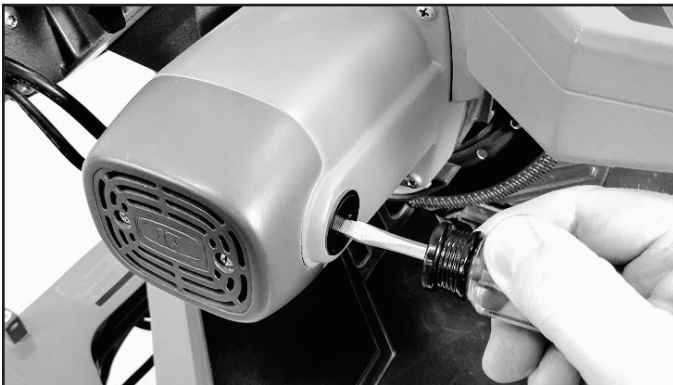
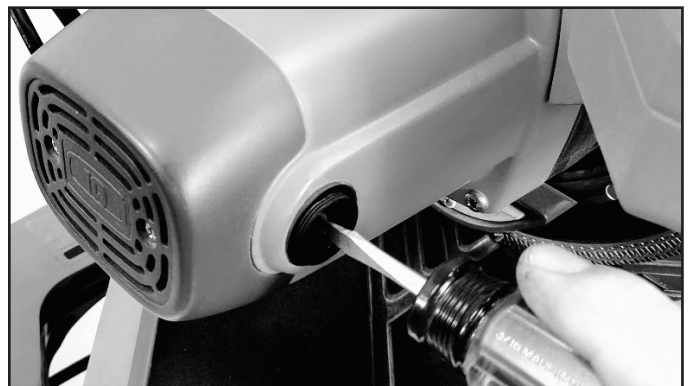
Inspect carbon brush and replaced it necessary



Install carbon brush making sure to align tabs into slots.

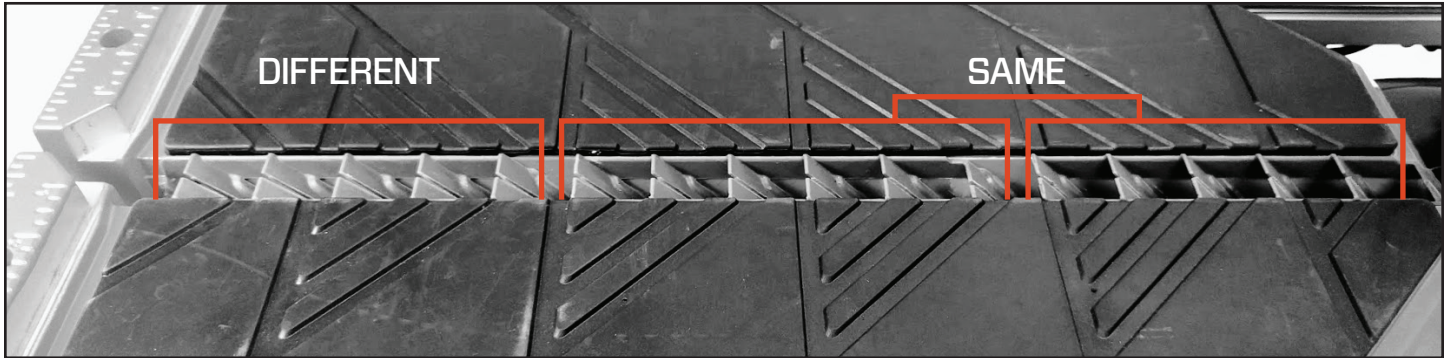


Tighten carbon brush retainer cap to secure.



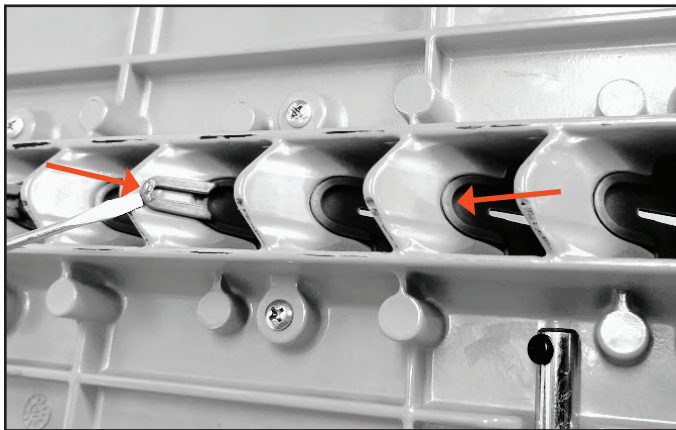
CHANGING THE LOUVERS

Periodically the plastic louvers will need to be changed. The plastic louvers are made up of three sections. The two front pieces are the same while the rear piece is different.



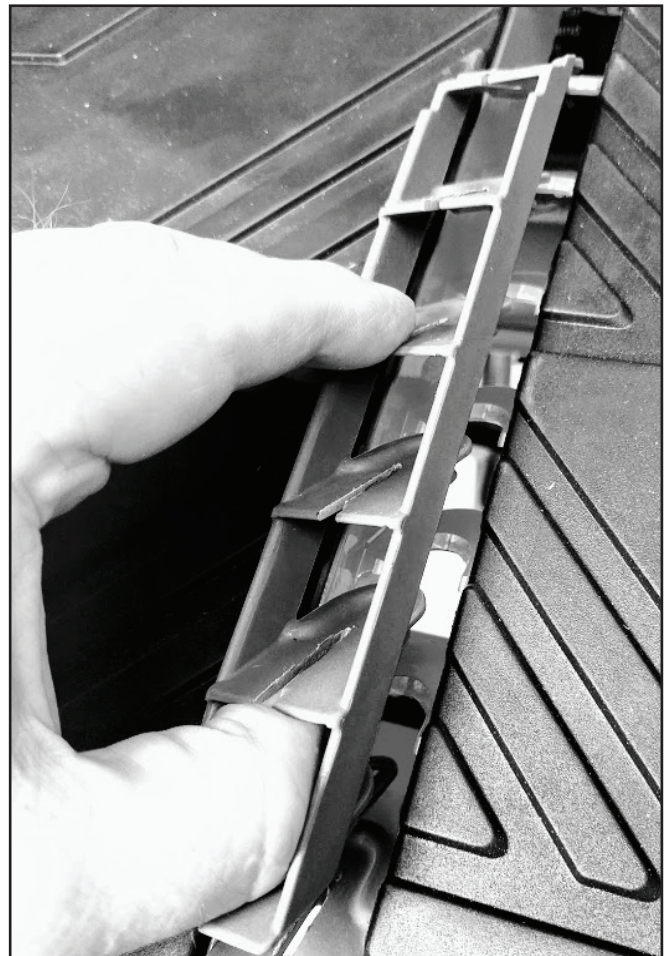
REMOVING THE LOUVERS

To change the louvers, remove the table and set it on a secure surface with the wheels up. Each section of plastic louver has a loop retainer that slips over a tab on the table louvers. With light pressure lift up plastic loop and push down to release. Repeat this process at each end of each louver.



REPLACING THE LOUVERS

Start with the back plastic louver. With the table right side up, line the plastic louvers up with table louvers pushing down at 45° snapping into place.



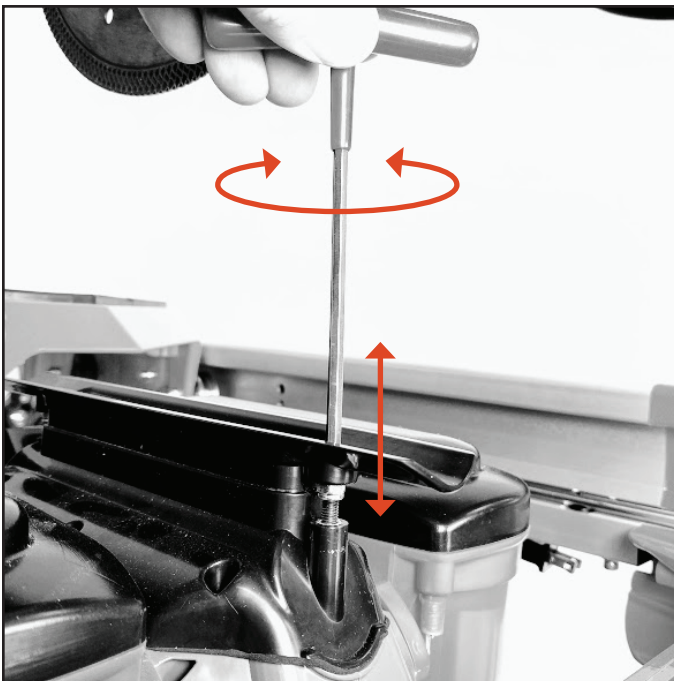
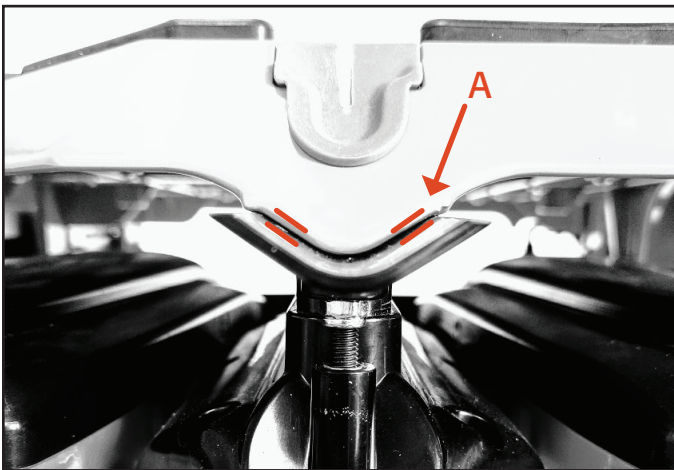
ADJUSTMENTS

ADJUSTING THE TOP SLOT

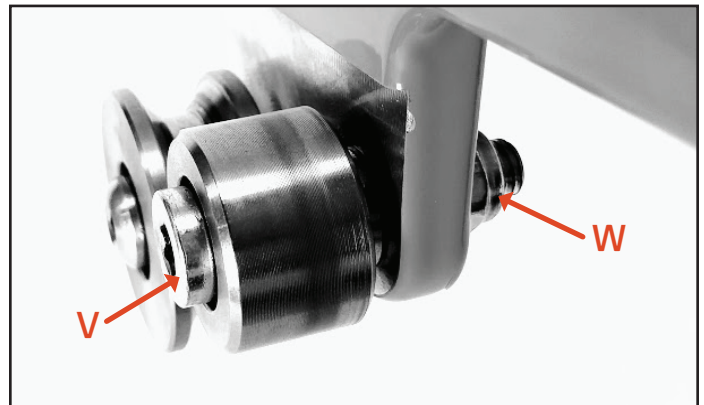
Note: The top slot adjustments are set at the factory so adjustment will only need to be performed after extended use or after parts replacement.

⚠ NOTICE! PROPER GAP BETWEEN THE TOP SLOT IN ROLLING TABLE LOUVERS IS CRITICAL TO MAINTAIN VACUUM AND GOOD DUST COLLECTION.

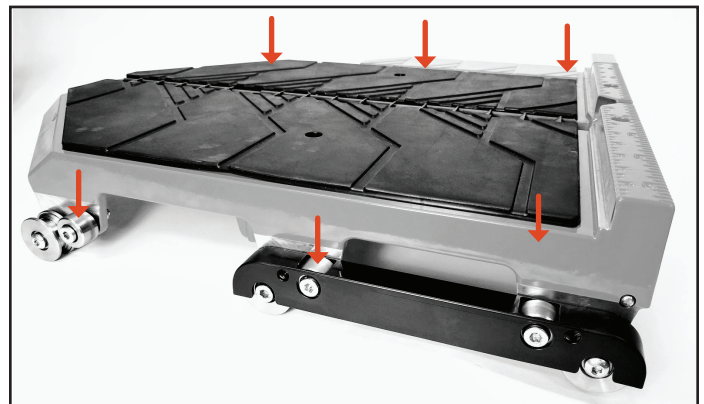
The gap between the top slot and rolling table louvers should be set at $1/32''$ (A). The top slot and rolling table louvers should not be touching or rubbing during table motion. If they are rubbing adjustment is necessary.



ADJUSTING THE ROLLING TABLE UPPER ROLLER



1. With Allen wrench secure axle cam screw (V), loosen axle nut (W).
2. With Allen wrench turn axle cam screw till there is a slight resistance when rotating upper roller by hand.
3. While holding Allen wrench and axle cam screw in position tighten axle nut to secure.



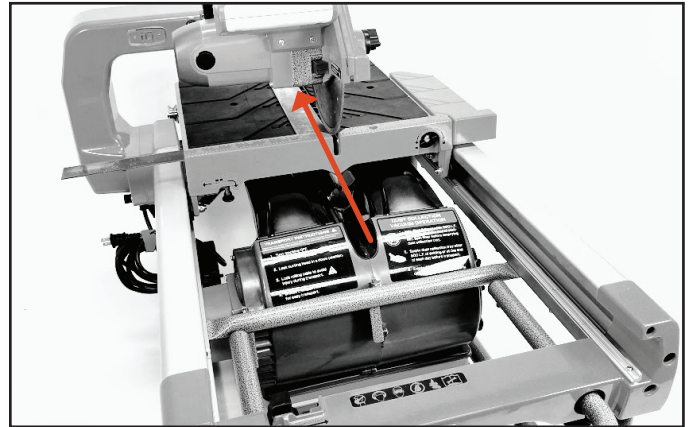
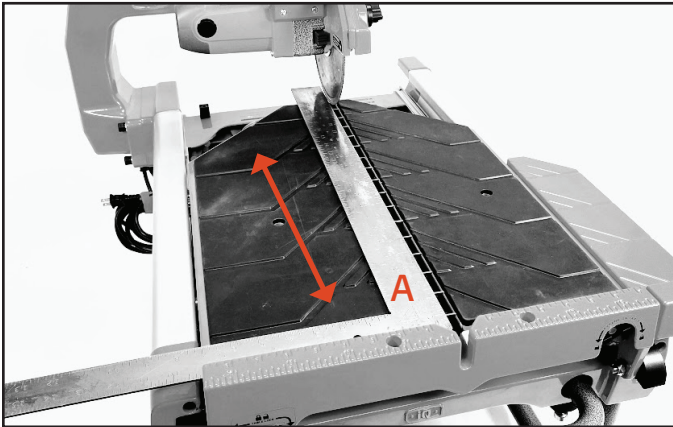
4. Follow the same procedure for all six upper rollers.

ADJUSTING AND SQUARING THE ROLLING TABLE

Note: The rolling table is set squared to the cutting head at the factory and is certified to be within an industry-leading standard of $0.015''$ or $1/64''$.

Adjustment will only need to be performed after extended use or after parts replacement.

ADJUSTMENTS



Lay a 90° Square flat on the rolling table surface with one side against the cutting fence (A).

Move the rolling table through the full motion front to back. If the blade is not 90° to the cutting fence guide rail will need adjustment.

Loosen the six rail mounting screws (X).
(Access screws from underneath left side rail.)

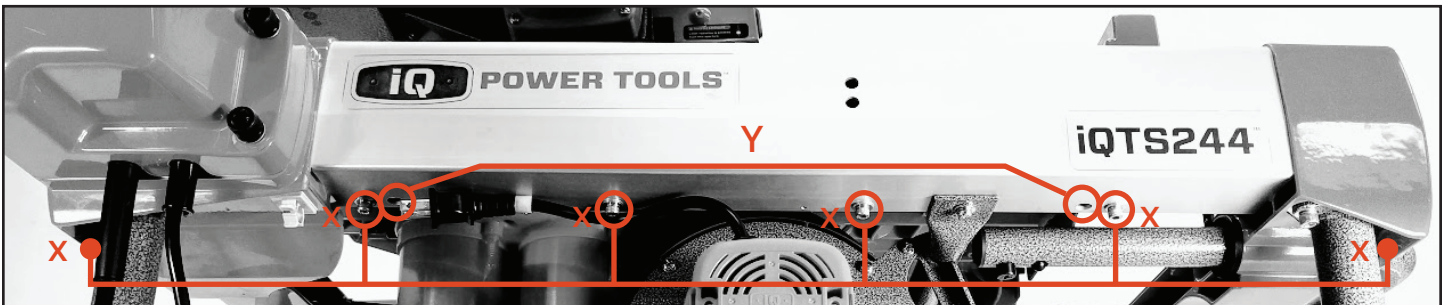
VERSION 1 - WITH ADJUSTER CAM

Position the guide rail adjuster cam screws (Y) until the blade is squared to the cutting fence (A) through the full motion of the rolling table front to back. When the guide rail is in correct position tighten the six rail mounting screws (X).

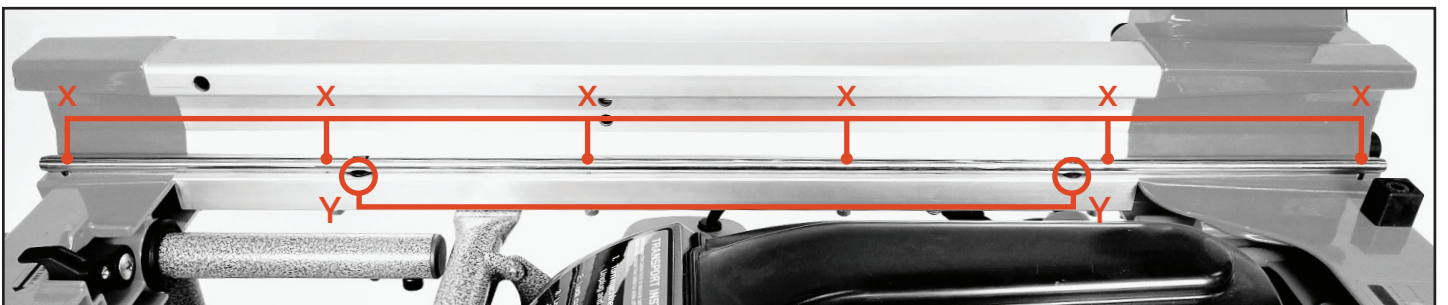
VERSION 2 - WITHOUT ADJUSTER CAM

Adjust Rolling Table position until blade is squared to the cutting fence (A) through the full motion of rolling the table front and back.

OUTSIDE VIEW



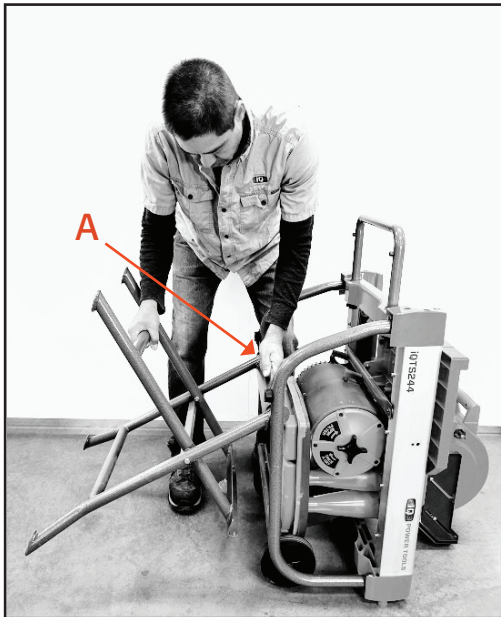
INSIDE VIEW



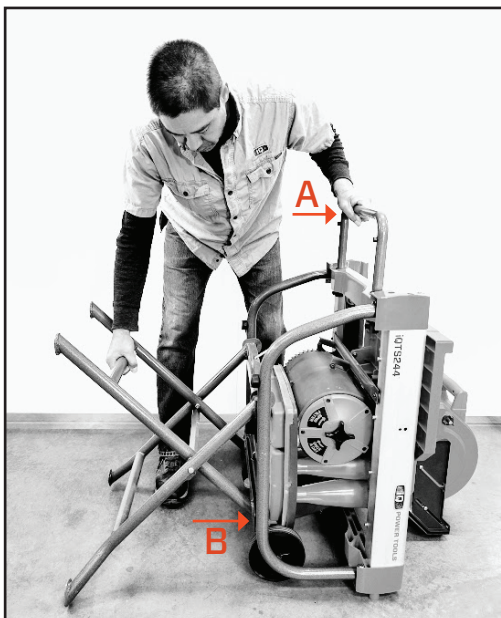
INSTALLING THE X-STAND (optional accessory)

Accessories can be purchased from your local iQ Power Tools dealer. Call 888-274-7744 or visit our website at iqpowertools.com.

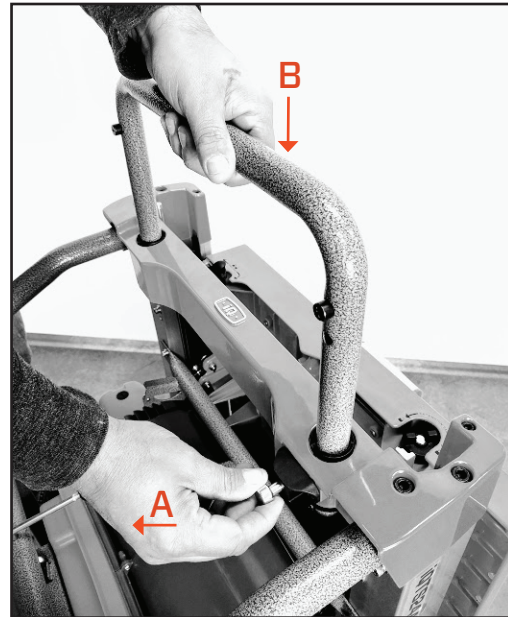
1. With the saw resting on the wheels and back feet. Hold the X-Stand as shown. Connect hooks on X-Stand (A) over upper crossbar of saw tube frame.



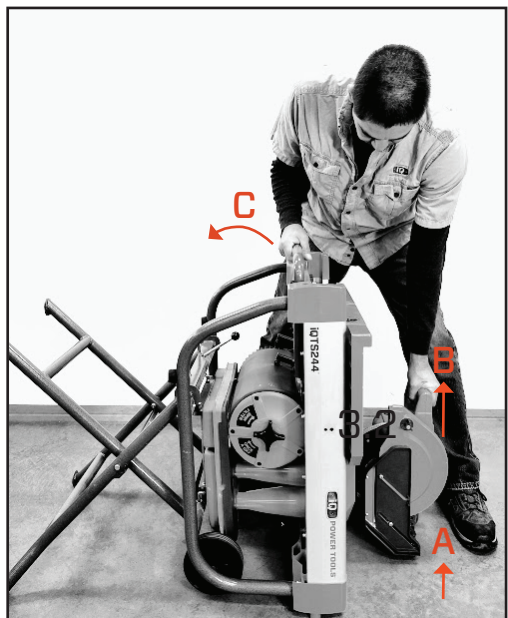
2. Put slight pressure on transport handle (A) while pushing X-Stand down (B) until lower cross bar of saw tube frame engages with X-Stand lock pin.



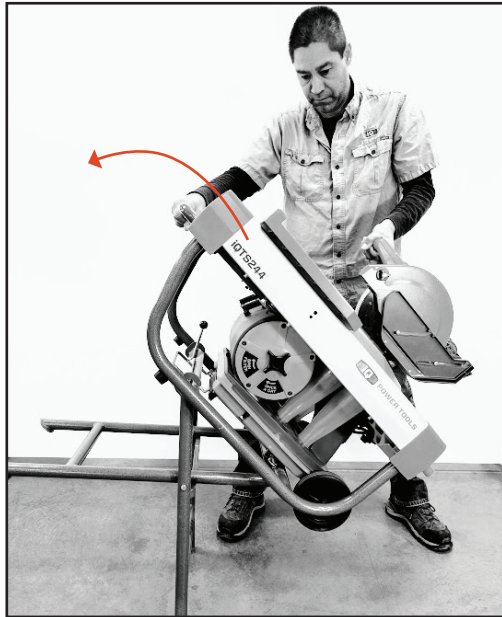
3. Lower the transport handle by pulling transport handle lock pin (A) then pushing down on transport handle (B).



4. With X-Stand attached lifting the machine to its upright operating position. As shown below, with left foot placed near cutting head (A) with left hand lift on cutting head handle while guiding upward rotation with right hand on transport handle (C). **Note:** Before lifting allow approximately 6ft. / 2m to lift and rotate the machine to its upright operating position.



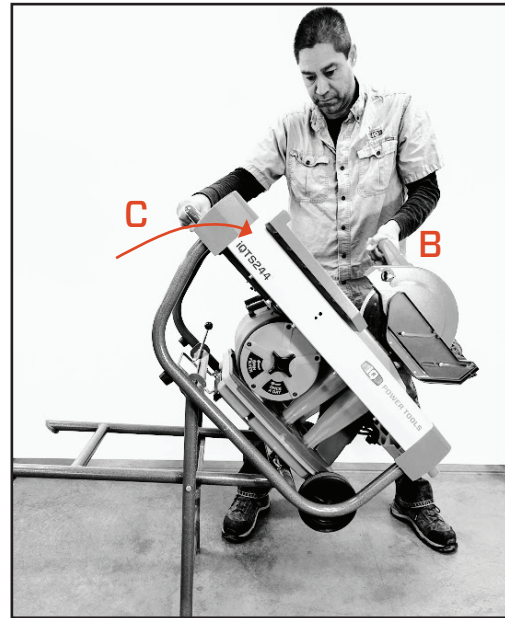
X-STAND



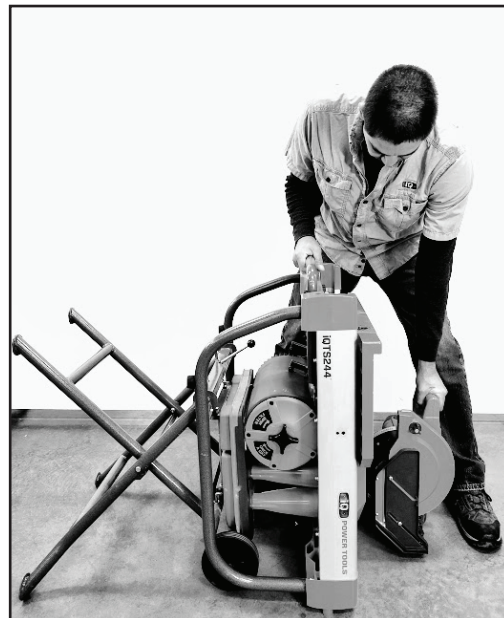
REMOVING THE X-STAND

1. Removing the optional X-Stand. With your right hand on transport handle (C) and left hand on cutting head handle (B) rotate the machine back.

Note: Before lowering allow approximately 4 ft. / 1.5 m to behind the machine to rotate the machine down to the floor.



2. Guide machine back to rest softly on the floor.

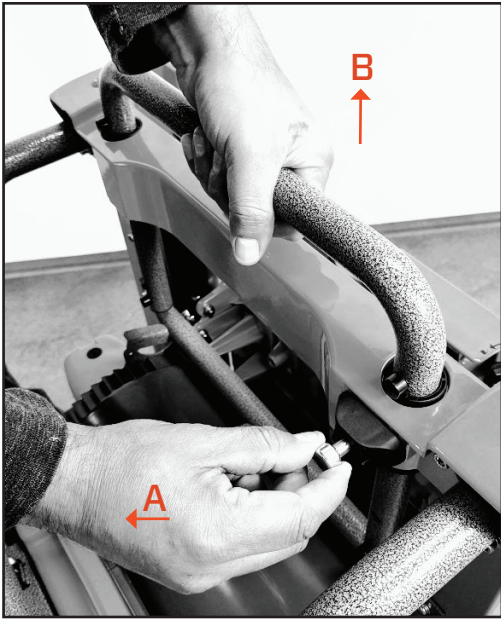


⚠ WARNING!

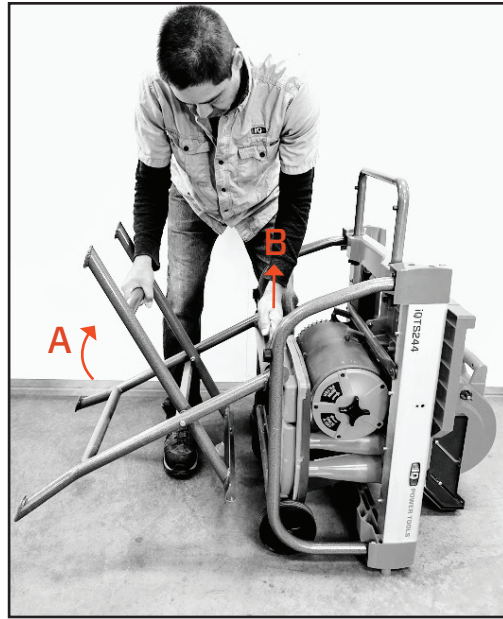
WARNING! BE SURE TO LOCK THE ROLLING TABLE BEFORE TRANSPORT TO AVOID EQUIPMENT DAMAGE OR PERSONAL INJURY.

X-STAND

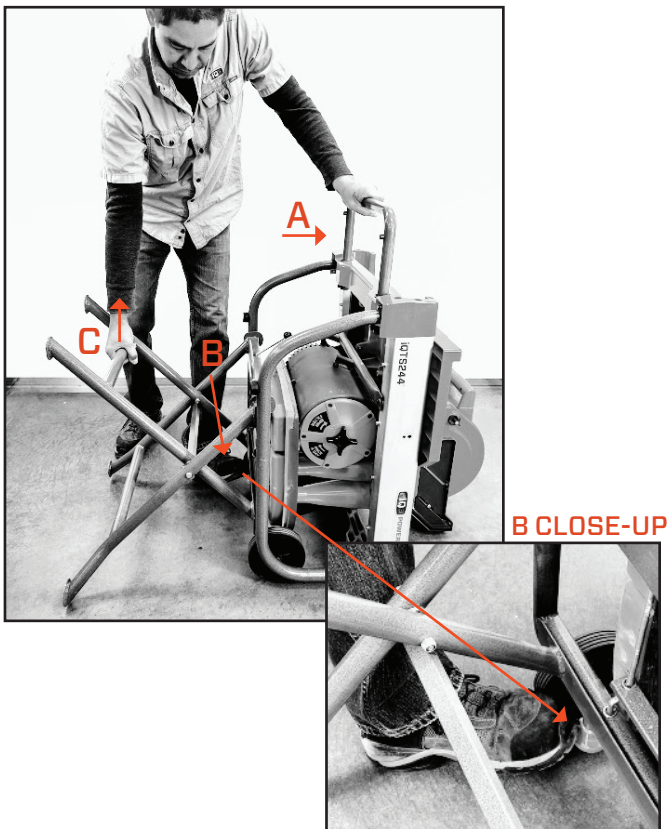
3. Raise the transport handle by pulling transport handle lock pin (A) then pulling up on transport handle (B)



5. When X-Stand lock pin is released rotate up (A) then lift with left-hand (B) unhooking X-Stand from machine.



4. With slight pressure against transport handle (A) with tip of left foot pushed down on X-Stand lock pin knob (B) then pull up with right-hand (C).



6. Machine can now be tipped forward onto the wheels for easy transport.



TROUBLESHOOTING GUIDE

BE SURE TO FOLLOW SAFETY RULES AND INSTRUCTIONS
MANY COMMON PROBLEMS CAN BE SOLVED EASILY BY UTILIZING THE CHART BELOW.
FOR MORE SERIOUS OR PERSISTENT PROBLEMS, CONTACT IQ POWER TOOLS AT 1-(888)274-7744.

TROUBLE! SAW WILL NOT START

WHAT'S WRONG?	WHAT TO DO
1. Saw not plugged in	1. Plug in saw
2. GFCI tripped	2. Push switch to off and push reset button on GFCI
3. Saw will not run (plugged in; switch on)	3. Push switch to off and push the reset button on the GFCI
4. Fuse blown or circuit breaker tripped	4. Push switch to off and replace fuse or reset circuit breaker.
5. Cord damaged	5. Have cord replaced by authorized service center.
6. Brushes worn out	6. Have brushes replaced by authorized service center.

TROUBLE! SAW MAKES UNSATISFACTORY CUTS

WHAT'S WRONG?	WHAT TO DO
1. Dull cutting blade	1. Replace cutting blade
2. Blade not cutting	2. Use dressing stone
3. Build up on cutting wheel	3. Use dressing stone to remove build up
4. Incorrect cutting wheel for work being done	4. Change the cutting wheel

TROUBLE! CUTTING WHEEL DOES NOT COME UP TO SPEED

WHAT'S WRONG?	WHAT TO DO
1. Extension cord too small of a wire gauge or too long	1. Replace with adequate size cord
2. Arbor loose	2. Tighten arbor
3. Low house voltage	3. Contact your electric company

TROUBLE! MACHINE VIBRATES EXCESSIVELY

WHAT'S WRONG?	WHAT TO DO
1. Saw not mounted securely to stand	1. Reposition stand.
2. Stand or bench on uneven floor	2. Reposition on flat level surface
3. Damaged saw cutting wheel	3. Replace cutting wheel.

TROUBLE! DOES NOT MAKE ACCURATE CUTS

WHAT'S WRONG?	WHAT TO DO
1. Cutting guide not secure to fence	1. Check and adjust
2. Cutting wheel is not square to fence	2. Check and adjust
3. Cutting wheel is not perpendicular to table surface	3. Check and adjust fence
4. Work piece moving	4. Use edge guide.

TROUBLE! LOSS OF VACUUM SUCTION

WHAT'S WRONG?	WHAT TO DO
1. Vacuum motor not running	1. Check vacuum and motor plug
2. Filter plugged	2. Spin filter cleaning knob
3. Dust tray in unlocked position	3. Lock dust tray in up position
4. Dust tray over filled with dust	4. Empty dust tray and remove dust build up around filter and cyclones.

TECHNICAL DATA

SAW MOTOR IQTS244, 120V

POWER, HP / KW	1.5 / 1.19
VOLTAGE, V	120
PHASES	1
FREQUENCY, HZ	60
BLADE SPEED, RPM	4000

VACUUM MOTOR

VOLTAGE	120
FREQUENCY, HZ	60
POWER, HP / KW	.80 / .60
CFM	150

CUTTING EQUIPMENT

BLADE SIZE - MAX, INCH/MM	10/254
SAW DEPTH - MAX, INCH/MM	1 / 38
CUTTING DEPTH AT 45° - MAX, INCH/MM	.75 / 19
CUTTING LENGTH - MAX, INCH/MM	24 / 610
ARBOR CONFIGURATION	Q-DRIVE
ANGLE CUTTING	45° AND 22.5°

DIMENSIONS

WEIGHT (LB/KG)	93 / 42
SHIPPING WEIGHT (LB/KG)	110 / 50
SIZE (LXWXH), INCH/MM	34X27X28 / 864X685X711
SHIPPING DIMENSIONS (LX W X H), INCH/MM	42X24X22 / 1085X610X560

TABLE A

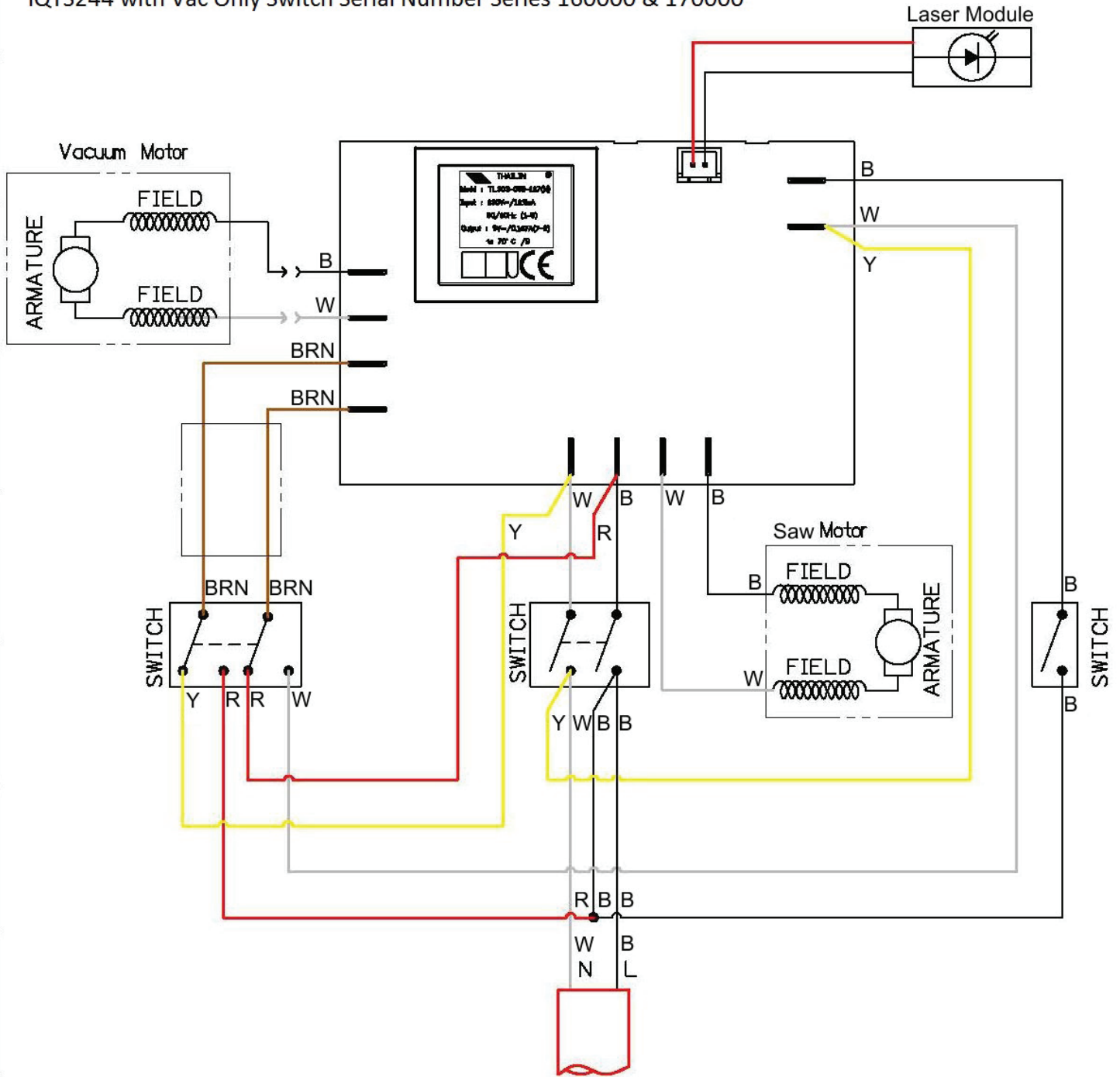
AMPERAGE RATING		VOLTS	TOTAL LENGTH OF CORD			
		120	25	50	100	150
		240	50	100	200	300
MORE THAN	NOT MORE THAN		MINIMUM GAGE CORD			
0	6		18	16	16	14
6	10		18	16	14	12
10	12		16	16	14	12
12	16		14	12	<i>NOT RECOMMENDED</i>	

ELECTRICAL

25FT	50FT	100FT	150FT
AWG	AWG	AWG	AWG
12	10	NOT RECOMMENDED	NOT RECOMMENDED
VOLTS 120v	VOLTS 120v	VOLTS 120v	VOLTS 120v

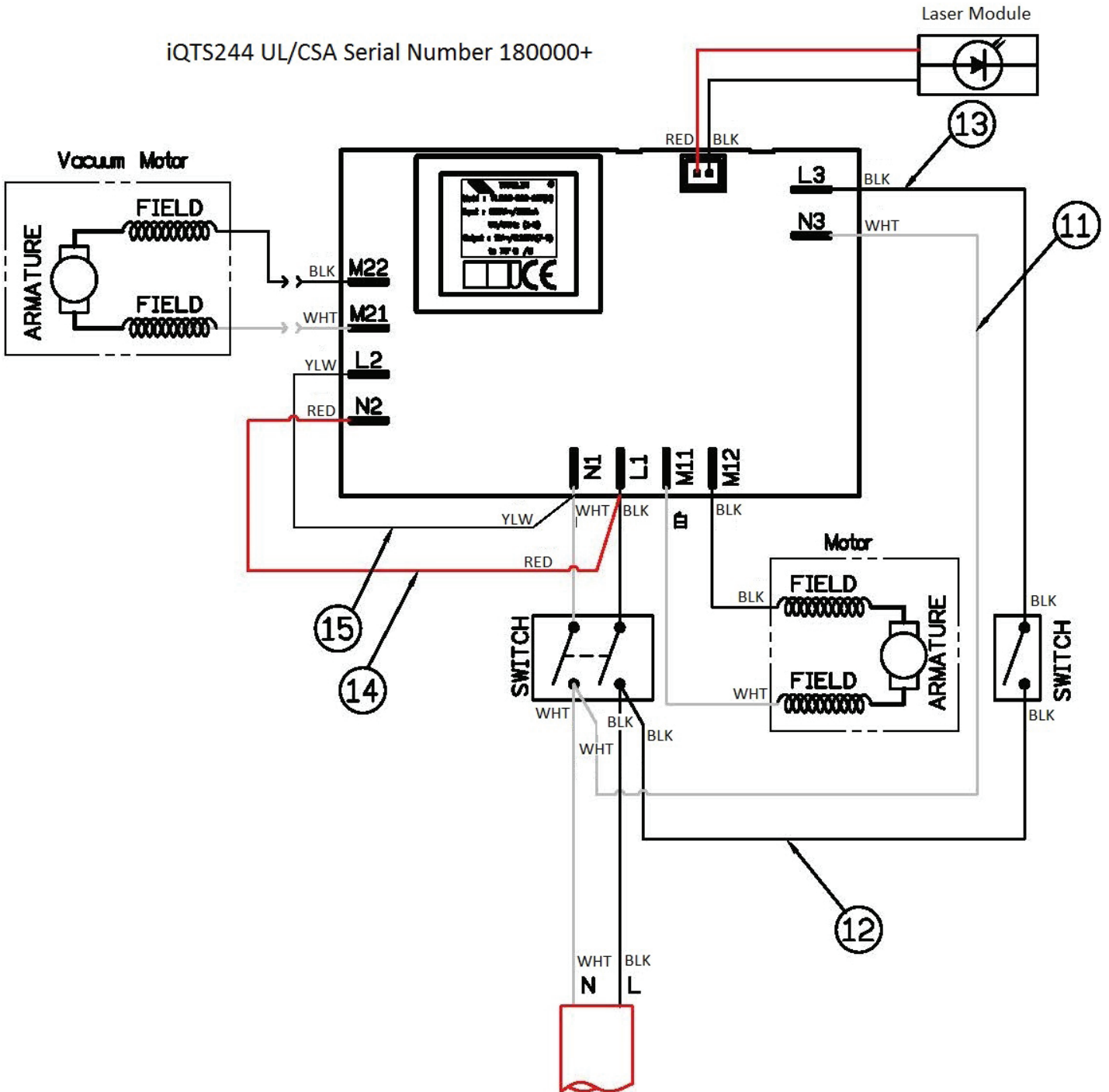
WIRING DIAGRAM

iQTS244 with Vac Only Switch Serial Number Series 160000 & 170000



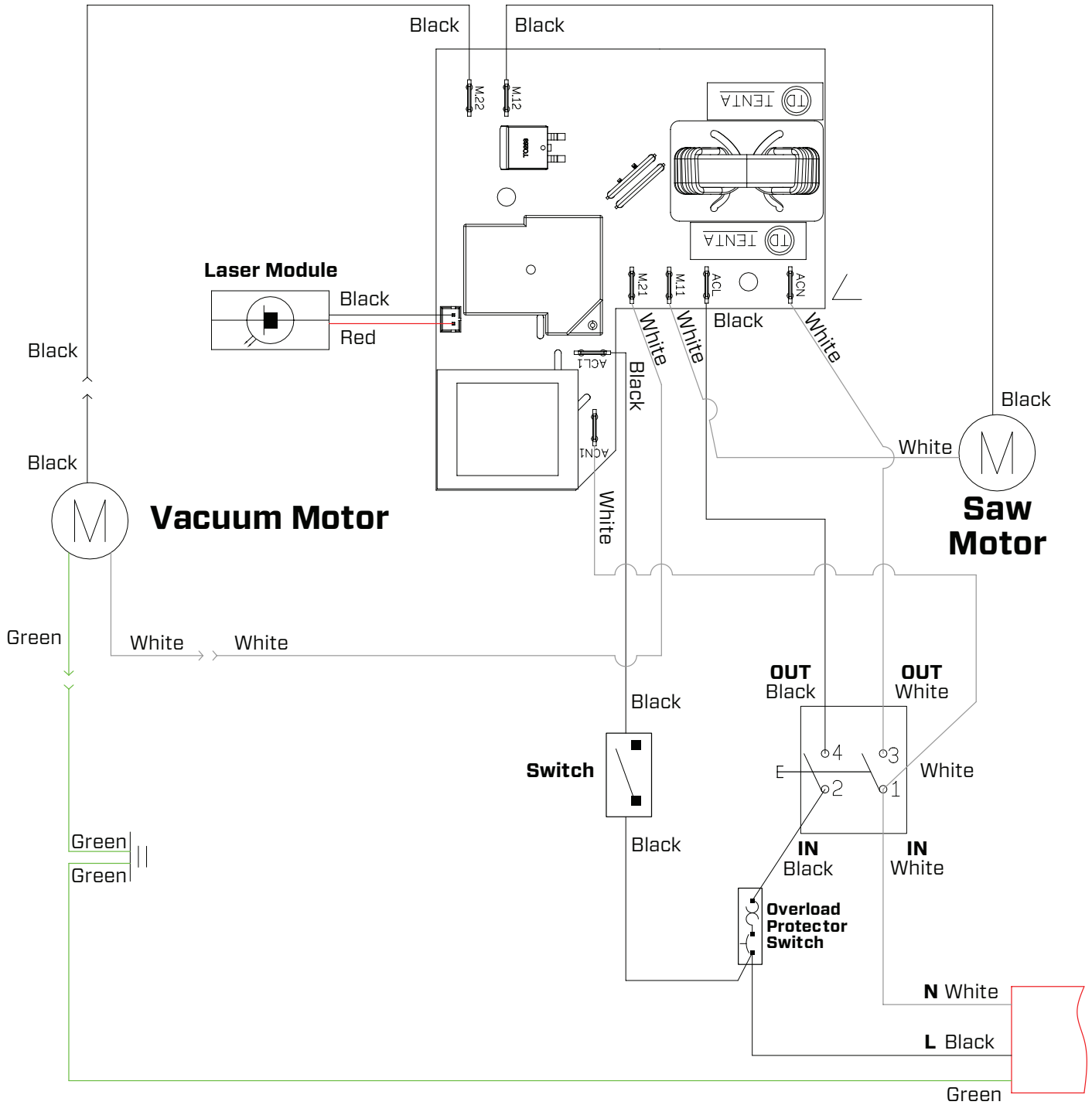
WIRING DIAGRAM

iQTS244 UL/CSA Serial Number 180000+



WIRING DIAGRAM

iQTS244 CSA Serial Number 200001+



English

WARRANTY

New iQTS244™ Dry Cut Tile Saw, sold by iQ Power Tools or an iQ authorized dealer is warranted to be free from manufacturing defects in normal service for a one year period from date of purchase by the original consumer purchaser. Warranty period for rental items is 90 days.

All iQ products must be registered either through our website or by mailing in the Warranty Card in order for the warranty to be active and valid. This Warranty shall not apply to any parts that have been subjected to misuse or improper service, damaged in transit or handling, altered or repaired by unauthorized representatives, or used with a blade that is not recommended by iQ Power Tools.

Any claim arising under this Warranty must be submitted by the original purchaser within the Warranty period specified above and must include proof of purchase. Within Warranty period, options are either to replace or repair any parts or components that are found to be defective by iQ Power Tools at no charge to the original purchaser. iQ Power Tools shall not be responsible or obligated to pay for freight or other transportation-related costs or expenses in connection with any defective products, replacements, or components that are returned to iQ Power Tools facility or any authorized repair station.

Parts and labor needed to maintain products, and the replacement of components due to normal wear and tear, are the purchaser's responsibility and are not covered by this Warranty. All products or components replaced under Warranty become the property of the manufacturer. All replacement parts will be considered to be part of the original product and any Warranty on such parts will expire concurrently with this original Warranty.

iQ Power Tools will pay for parts and labor in connection with Warranty repairs conducted by iQ Power Tools or its authorized repair center. Replacement parts installed by anyone else will be provided without a charge but this Warranty will not apply to labor charges in connection therewith.

IN NO EVENT SHALL ANY LIABILITY UNDER THIS WARRANTY EXCEED THE REPLACEMENT COST OF ANY DEFECTIVE PRODUCT OR COMPONENT THEREOF. iQ POWER TOOLS SHALL NOT BE LIABLE FOR ANY INCIDENTAL OR CONSEQUENTIAL DAMAGES OR FOR ANY OTHER DAMAGE OR LOSS NOT EXPRESSLY ASSUMED AS SET FORTH HEREIN.

The Warranty on the terms above is the only Warranty. This limited Warranty is expressly in lieu of all other Warranties, whether expressed or implied.



POWER TOOLS

888-274-7744 | WWW.IQPOWERTOOLS.COM